

Bathroom Cabinet

Slide Cabinet

RAK
CERAMICS

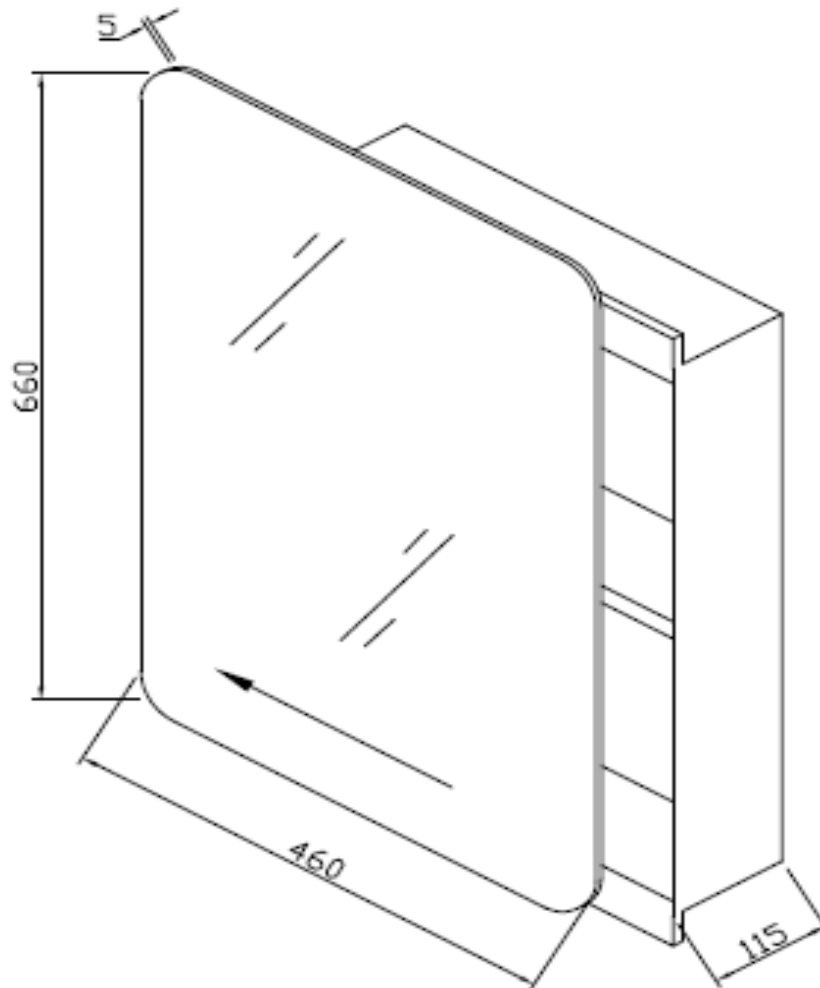


SPECIFICATION/CODE REFERENCE

Please use the reference codes shown below:

12SL366C-1

SIZE	560 x 460 x 115 mm
MATERIAL	Stainless Steel Carcase with mirror doors
WEIGHT	8.20 kg
FIXING	Screw holes in back of cabinet
WARRANTY	2 Years



Dimensions: All measurements are in millimeters and are subject to normal manufacturing variations.
Note: Due to a continuing development programme to improve design and performance, the manufacturer reserves all rights to vary specifications without prior informations. Please note accessories are for photographic use only.

Tel: 01730 237850 Fax: 01730 263210. RAK Ceramics, Bradford House, Frenchmans Road, Petersfield, Hampshire GU32 3AW

Contact us at: info.uk@rakceramics.com / Visit us at: www.rakceramics.com 2017