

Taps

Resort Basin Mixer

RAK
CERAMICS

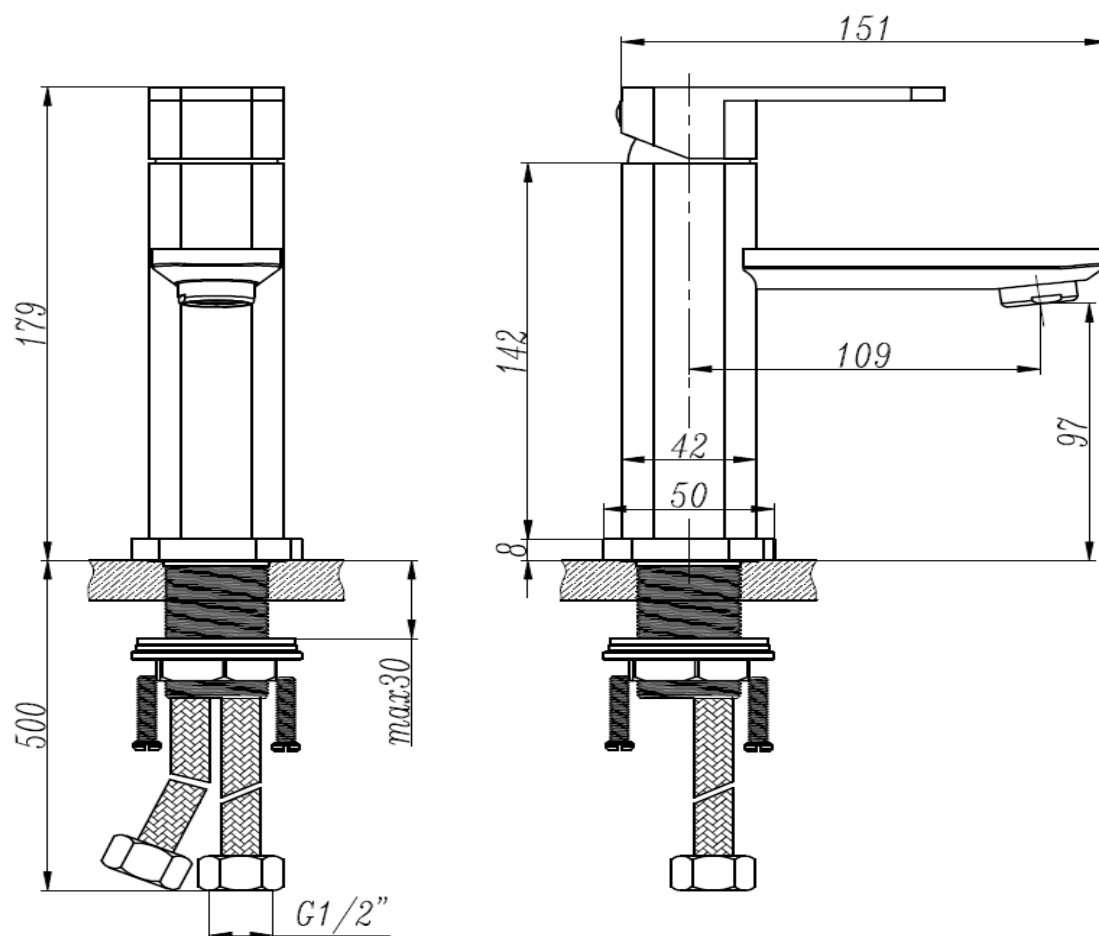


SPECIFICATION/CODE REFERENCE

Please use the reference codes shown below:

RAK710111

MATERIAL	Brass, Chrome Plating
WEIGHT	1.23 kg
THICKNESS	Chrome 0.3 UM, Nickle 6019 UM
PRESSURE	Mininium 0.2 LP2
FLOW RATE	9.9 litres per minute
WASTE	require suitable basin waste
WARRANTY	15 Years



Dimensions: All measurements are in millimeters and are subject to normal manufacturing variations.

Note: Due to a continuing development programme to improve design and performance, the manufacturer reserves all rights to vary specifications without prior informations. Please note accessories are for photographic use only.