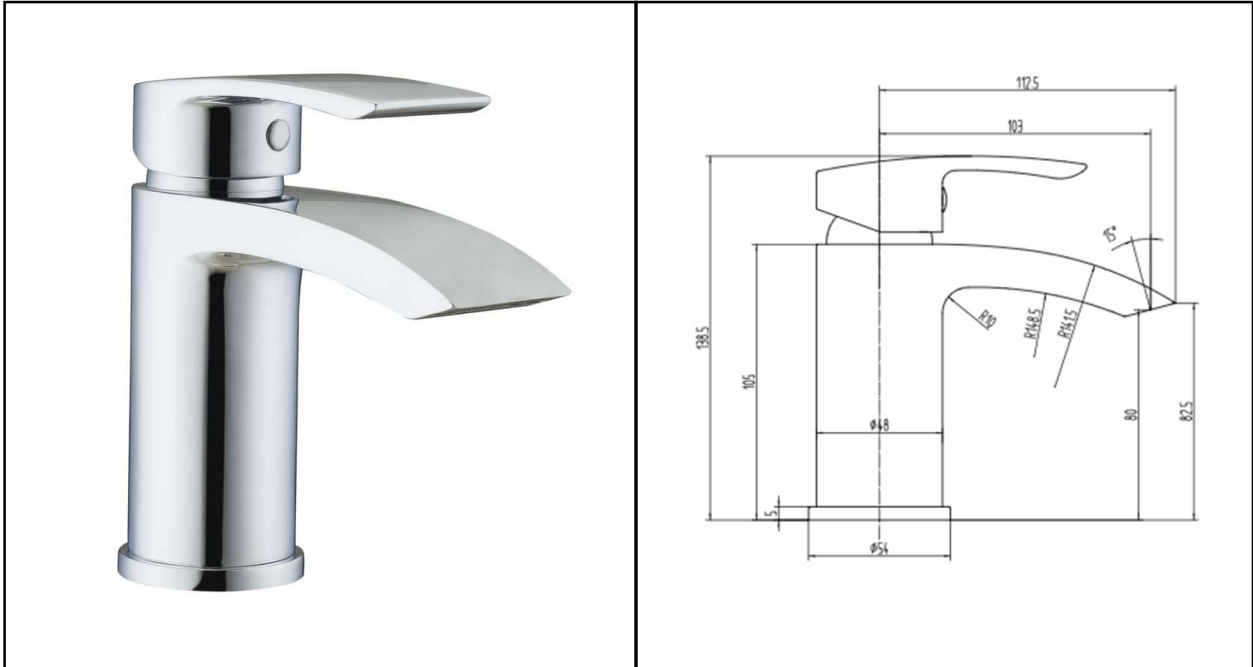


**RAK CURVE TAPS**  
**Basin Mixer | Standard | Inc Waste**

**RAK**  
CERAMICS



---

**Dimensions:** 54w x 112.5d x 138.5h mm

---

**Colour:** CHROME

---

**Code:** RAKCRV3001

---

**Pressure:** 0.2 BAR – 6.0 BAR

---

**Warranty:** 15 YEARS

---

**Weight:** 1.60 KG

---

Dimensions: All Dimensions in mm tolerance  $\pm 5\%$  for below 200mm and  $\pm 3\%$  for above 200mm.  
Note: Due to a continuing development programme to improve design and performance the manufacturer reserves all rights to vary specifications without prior information.  
Please note accessories are for photographic use only.