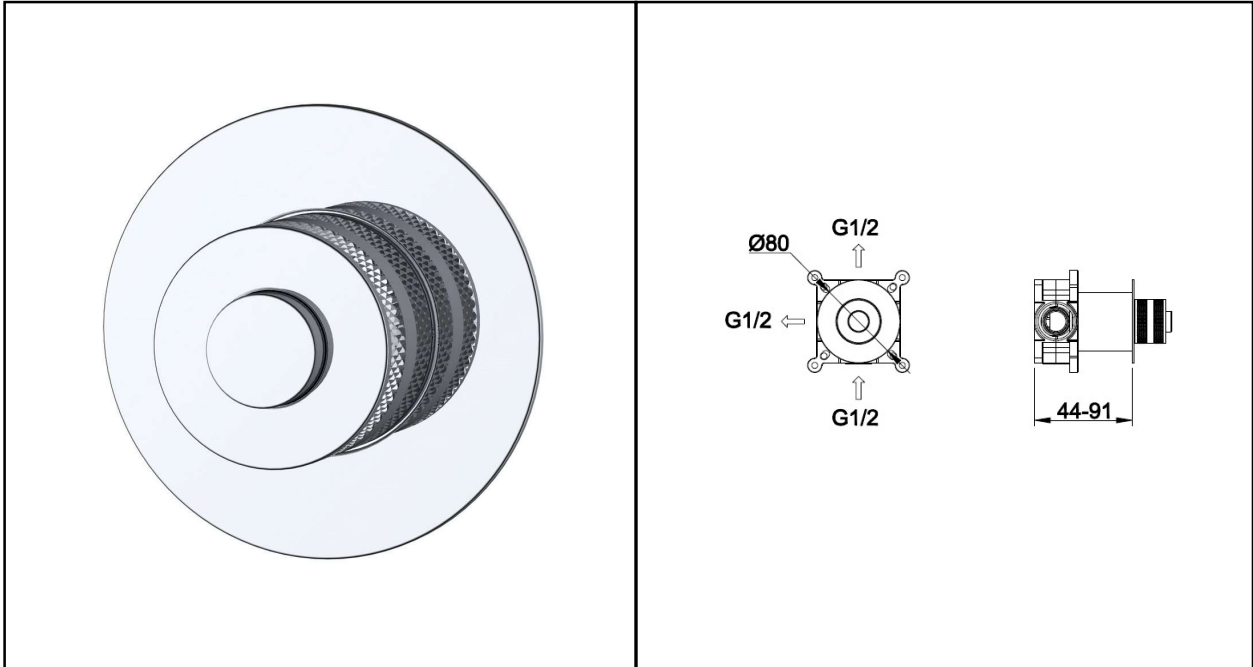


IW15  
AD13

## RAK PRIMA TECH TAPS

Stop Valve | Concealed Valve

**RAK**  
CERAMICS



**Dimensions:** 80w x 44-91d x80h mm

**Colour:** CHROME

**Code:** RAKPRT3020

**Pressures:** 0.3 - 0.6 Bar Pressure

**Warranty:** 15 YEARS

**Weight:** 1.36 KG

Dimensions: All Dimensions in mm tolerance  $\pm 5\%$  for below 200mm and  $\pm 3\%$  for above 200mm.  
Note: Due to a continuing development programme to improve design and performance the manufacturer reserves all rights to vary specifications without prior information.  
Please note accessories are for photographic use only.

## Slide 126

---

- JW15** need pressure  
John Ward, 29/05/2019
- AD13** No Pressures Given  
Ali Dolphin, 30/05/2019