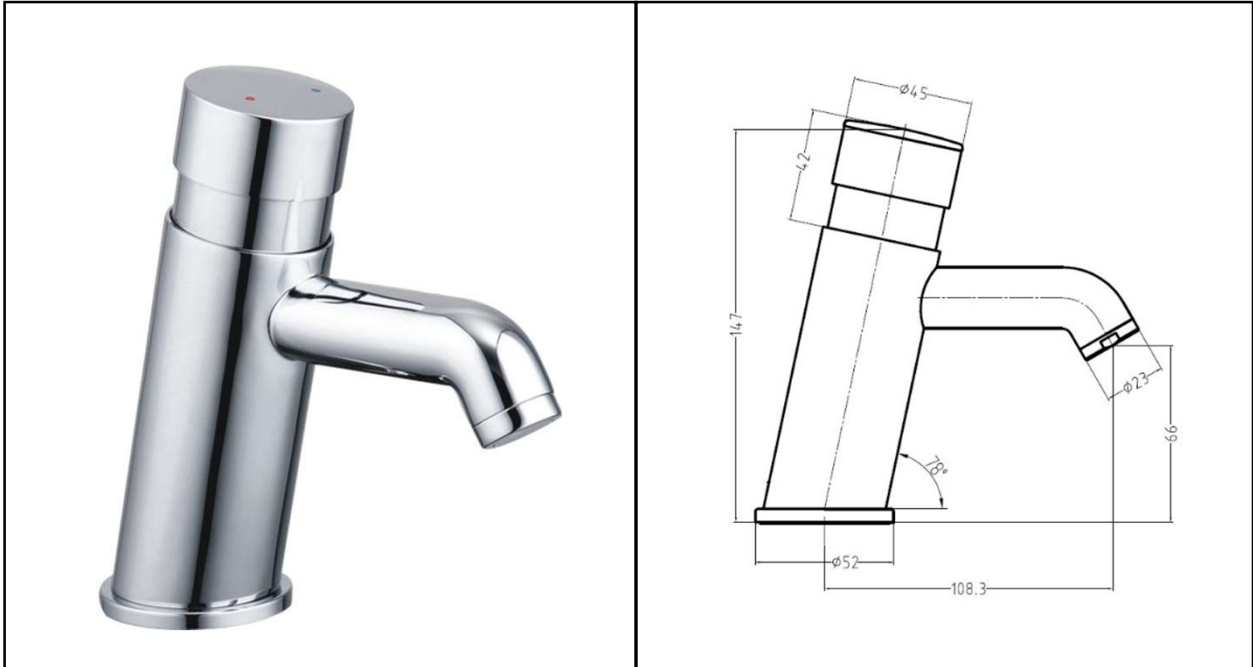


RAK COMMERCIAL TAPS
Non-Concussive | Basin Mixer

RAK
CERAMICS



Dimensions: 45w x 108.3d x 147h mm

Colour: CHROME

Code: RAKCOM908C

Pressure: 1 BAR – 6.0 BAR

Warranty: 15 YEARS

Weight: 1.48 KG

Dimensions: All Dimensions in mm tolerance $\pm 5\%$ for below 200mm and $\pm 3\%$ for above 200mm.
Note: Due to a continuing development programme to improve design and performance the manufacturer reserves all rights to vary specifications without prior information.
Please note accessories are for photographic use only.