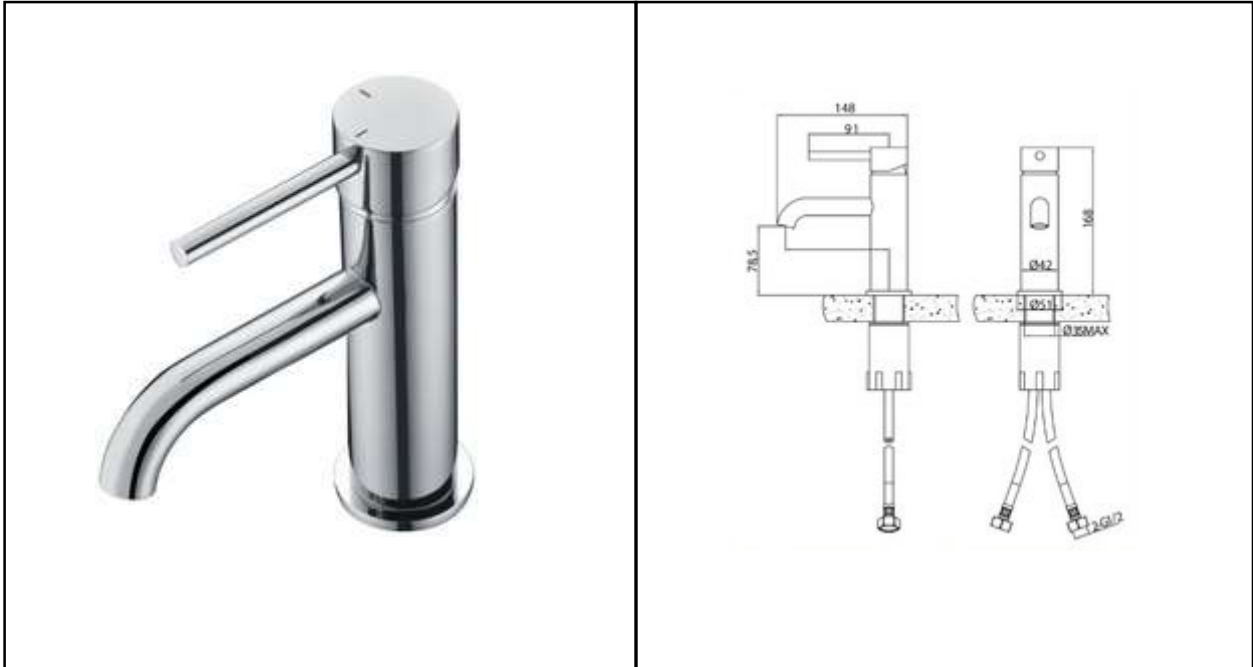


## PRIMA TECH TAPS

Basin Mixer | Standard | Inc. Waste

**RAK**  
CERAMICS



**Dimensions:** 42w x 148d x168h mm

**Colour:** CHROME

**Code:** RAKPRT3001

**Pressures:** 0.1 BAR – 6.0 BAR

**Warranty:** 15 YEARS

**Weight:** 1.38 KG

Dimensions: All Dimensions in mm tolerance  $\pm 5\%$  for below 200mm and  $\pm 3\%$  for above 200mm.  
Note: Due to a continuing development programme to improve design and performance the manufacturer reserves all rights to vary specifications without prior information.  
Please note accessories are for photographic use only.