

# METROPOLITAN

METROPOLITAN CLOSE COUPLED WC with Soft Close Seat

**RAK**  
CERAMICS

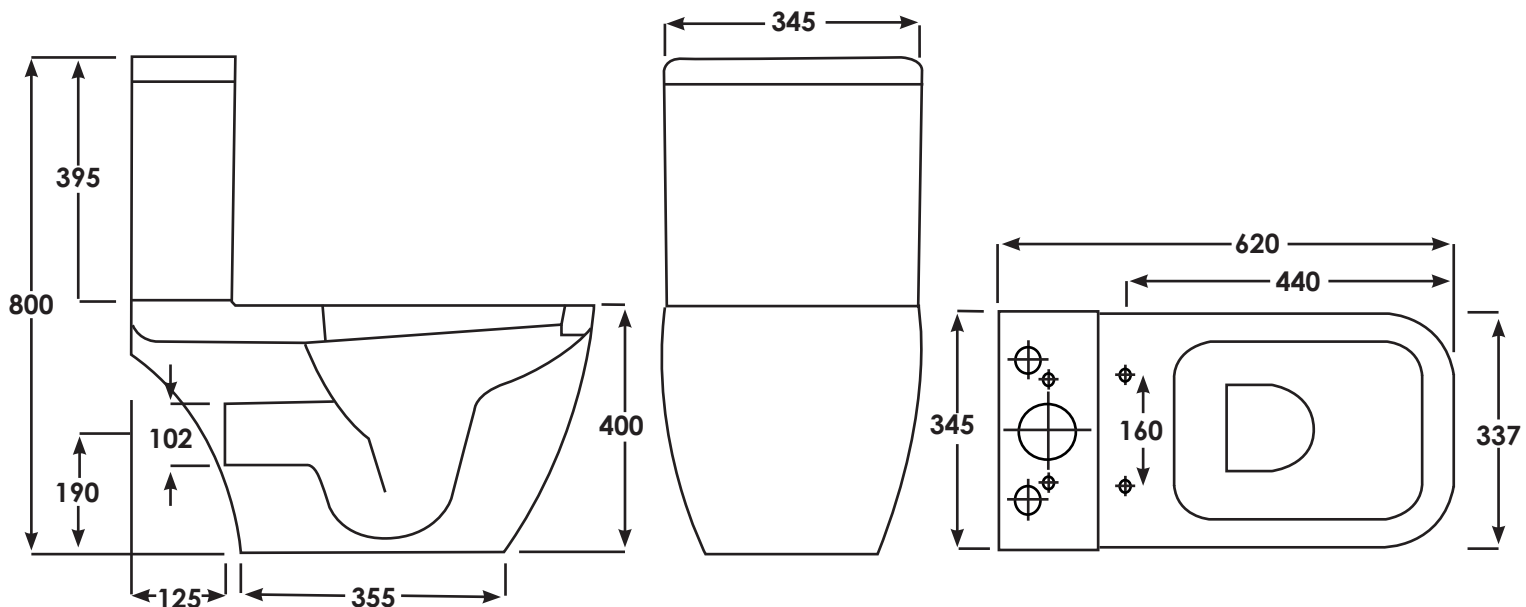


## SPECIFICATION/CODE REFERENCE

Please use the reference codes shown below:

### METPAKSC-DL

SIZE	620 x 337 x 400 mm
TRAP	P Trap
CISTERN	3/6 Litres flush
SOFT CLOSE SEAT	Quick Release
APPROVALS	WRAS 1201067
MATERIAL	Vitreous China
WEIGHT	44.30 kg
COLOURS	White
FIXING	Pan fitting supplied
WARRANTY	25 Years on Ceramics and 2 Years on WC Seat



Dimensions: All measurements are in millimeters and are subject to normal manufacturing variations.

Note: Due to a continuing development programme to improve design and performance, the manufacturer reserves all rights to vary specifications without prior informations. Please note accessories are for photographic use only.

Tel: 01730 237850 Fax: 01730 263210. RAK Ceramics, Bradford House, Frenchmans Road, Petersfield, Hampshire GU32 3AW  
Contact us at: [info.uk@rakceramics.com](mailto:info.uk@rakceramics.com) / Visit us at: [www.rakceramics.com](http://www.rakceramics.com) 2017