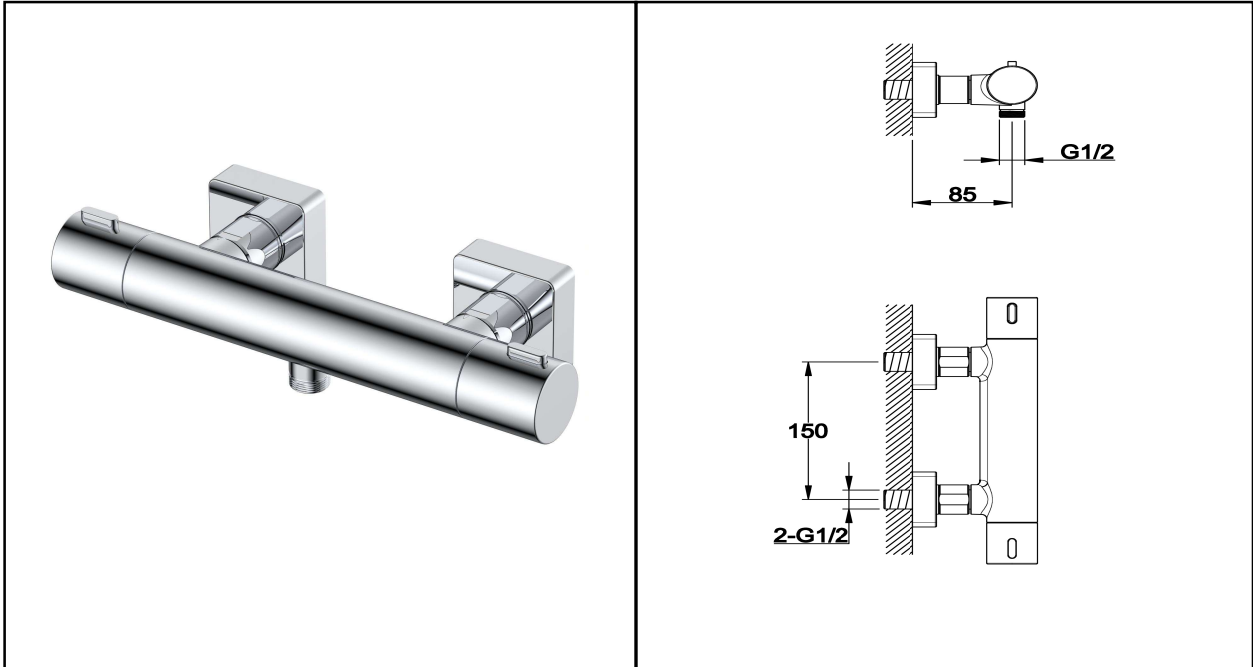


## RAK BLADE TAPS

Thermostatic Bar Valve | Exposed

**RAK**  
CERAMICS



**Dimensions:** 85w x 0d x 0h mm

**Colour:** CHROME

**Code:** RAKBLD3303

**Bar Pressures** 0.5 Bar – 5.0 Bar

**warranty** 15 YEARS

**Weight** 2.64 kg

Dimensions: All Dimensions in mm tolerance  $\pm 5\%$  for below 200mm and  $\pm 3\%$  for above 200mm.  
Note: Due to a continuing development programme to improve design and performance the manufacturer reserves all rights to vary specifications without prior information.  
Please note accessories are for photographic use only.