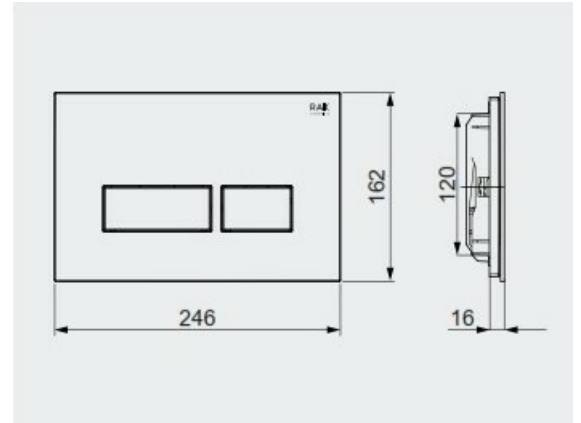
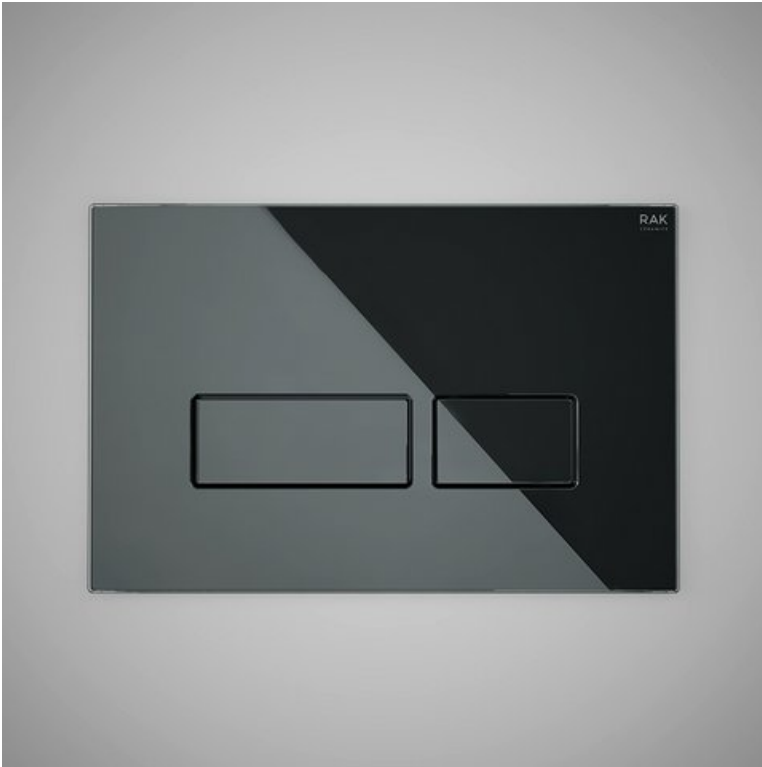


# RAK-ECOFIX - FSRAPPL012

## Push Plates Rectangle

**RAK**  
CERAMICS



### Technical specifications

Dimensions: 246 x 162 x 16 mm

Shape: Rectangle

Color: BLACK GLASS

Suites: [RAK-Clean](#)  
[RAK-ECOFIX](#)

Code	Name
FSRAPPL012	RECTANGULAR PUSH PLATE BLACK GLASS

Dimensions: All dimensions in mm. Tolerance of vitreous china & fireclay items:  $\pm 5\%$  for below 200mm and  $\pm 3\%$  for above 200mm; for all other items tolerance  $\pm 1\%$ . Note: Due to a continuing development program to improve design and performance, the manufacturer reserves all rights to vary specifications without prior information. Please note accessories are for photographic use only.