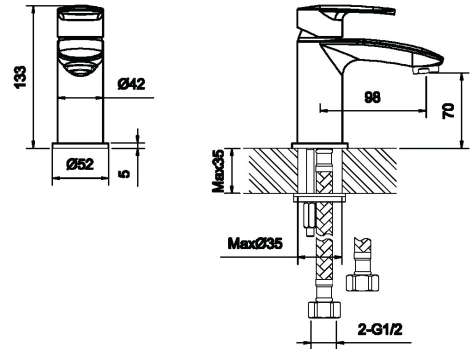


# RAK-MERCURY - RAKMER3001C

## Faucets

**RAK**  
CERAMICS



## TECHNICAL SPECIFICATIONS

Type:	RAK-Mercury - RAKMER3001C
Dimensions:	365 x 270 mm
Pressure:	1 l
Weight:	1.3 Kg
Chrome thickness:	0.00
Cartridge:	No
Tail:	NA
Handset wall brackets:	No
Color:	Chrome

Code	Name
RAKMER3001C	RAK-Mercury Mono Basin Mixer

Dimensions: All dimensions in mm. Tolerance of vitreous china & fireclay items:  $\pm 5\%$  for below 200mm and  $\pm 3\%$  for above 200mm; for all other items tolerance  $\pm 1\%$ . Note: Due to a continuing development program to improve design and performance, the manufacturer reserves all rights to vary specifications without prior information. Please note accessories are for photographic use only.