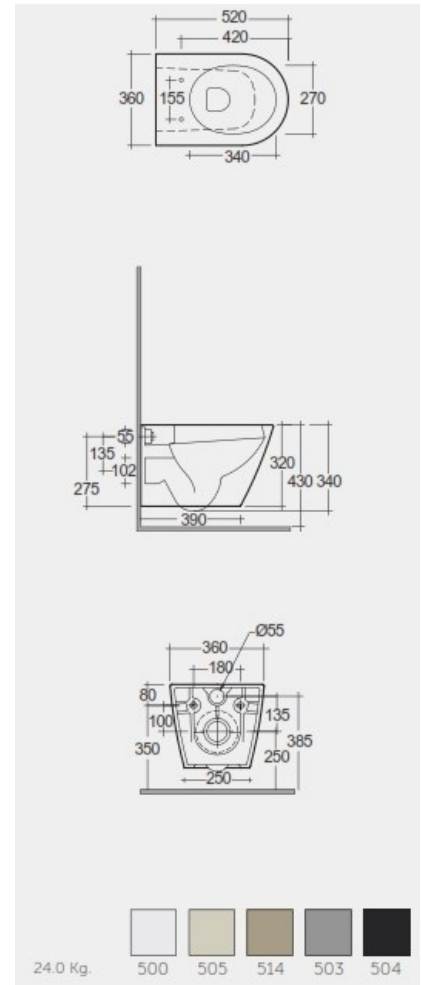


**RAK-FEELING - RST23505A - MATT GREIGE**  
**Wall Hung | Water Closet**

**RAK**  
 CERAMICS



**TECHNICAL SPECIFICATIONS**

Suite:	RAK-FEELING WC'S & BIDETS
Type:	Wall Hung
Dimensions:	520 x 360 mm
Weight:	24 Kg
Color:	Matt Greige - 505
Trap type:	P Trap
Trapway type:	Concealed
Seat cover options:	Urea
Bowl shape:	Compact Oval
Soft close:	yes
Flush Type:	Dual Flush

Code	Name
FEEWHPAN505-SC	RAK-FEELING RIMLESS WALL HUNG WATER CLOSET 52 CM MATT GREIGE

Dimensions: All dimensions in mm. Tolerance of vitreous china & fireclay items: ± 5% for below 200mm and ± 3% for above 200mm; for all other items tolerance ± 1%. Note: Due to a continuing development program to improve design and performance, the manufacturer reserves all rights to vary specifications without prior information. Please note accessories are for photographic use only.