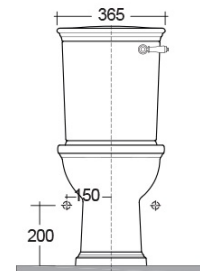
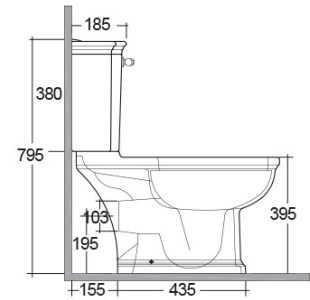
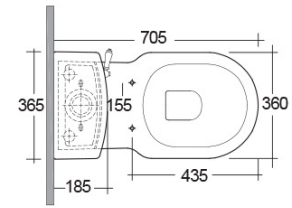


**RAK-WASHINGTON - WT11AWHA - WITH LEVER**  
**Syphonic | Close Coupled | Water Closet**

**RAK**  
 CERAMICS



**TECHNICAL SPECIFICATIONS**

Suite:	RAK-WASHINGTON
Type:	Close Coupled
Dimensions:	705 x 360 mm
Weight:	36 Kg
Color:	Alpine White
Trap type:	S Trap
Trapway type:	P trap
Seat cover options:	PP
Bowl shape:	Oval
Flush Type:	Dual Flush

Code	Name
WT11AWHA	WASHINGTON WATER CLOSET CLOSE COUPLED P-TRAP 70CM
WT22AWHA	WATER TANK WITH FRONT LIVER
JM05DSCQRAWHA	JUMEIRAH QRSC ABS seat
WTSC3901500	RAK-Washington Lacquered Polyester Seat Cover (500)
WTSC3901503	RAK-Washington Lacquered Polyester Seat Cover (503)

WTSC3901504	RAK-Washington Lacquered Polyester Seat Cover (504)
WTSC3901505	RAK-Washington Lacquered Polyester Seat Cover (505)
WTSC3901514	RAK-Washington Lacquered Polyester Seat Cover (514)

Dimensions: All dimensions in mm. Tolerance of vitreous china & fireclay items:  $\pm 5\%$  for below 200mm and  $\pm 3\%$  for above 200mm; for all other items tolerance  $\pm 1\%$ . Note: Due to a continuing development program to improve design and performance, the manufacturer reserves all rights to vary specifications without prior information. Please note accessories are for photographic use only.