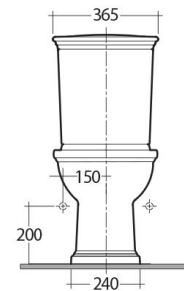
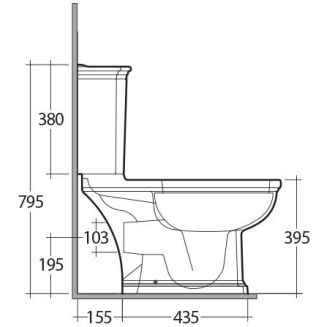
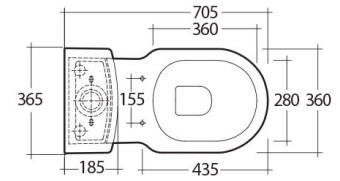


RAK-WASHINGTON
Close Coupled | Water Closet

RAK
CERAMICS



TECHNICAL SPECIFICATIONS

| | |
|---------------------|----------------|
| Suite: | RAK-WASHINGTON |
| Type: | Close Coupled |
| Dimensions: | 705 x 365 mm |
| Weight: | 36 Kg |
| Color: | Alpine White |
| Trap type: | P Trap |
| Trapway type: | Concealed |
| Seat cover options: | ABS Plastic |
| Bowl shape: | Oval |
| Soft close: | yes |
| Flush Type: | Dual Flush |

| Code | Name |
|---------------|---|
| WT11AWHA | WASHINGTON WATER CLOSET CLOSE COUPLED P-TRAP 70CM |
| WT10AWHA | WASHINGTON WATER CLOSET TANK |
| JM05DSCQRAWHA | JUMEIRAH QRSC ABS seat |
| WTSC3901500 | RAK-Washington Lacquered Polyester Seat Cover (500) |

| | |
|-------------|---|
| WTSC3901503 | RAK-Washington Lacquered Polyester Seat Cover (503) |
| WTSC3901504 | RAK-Washington Lacquered Polyester Seat Cover (504) |
| WTSC3901505 | RAK-Washington Lacquered Polyester Seat Cover (505) |
| WTSC3901514 | RAK-Washington Lacquered Polyester Seat Cover (514) |

Dimensions: All dimensions in mm. Tolerance of vitreous china & fireclay items: $\pm 5\%$ for below 200mm and $\pm 3\%$ for above 200mm; for all other items tolerance $\pm 1\%$. Note: Due to a continuing development program to improve design and performance, the manufacturer reserves all rights to vary specifications without prior information. Please note accessories are for photographic use only.