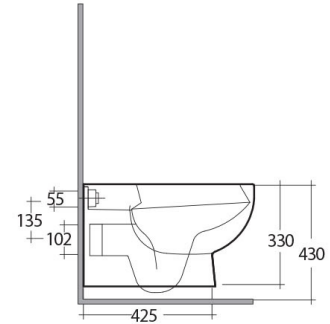
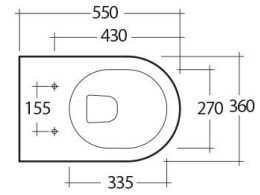


RAK-TONIQUE W/HIDDEN FIXATIONS

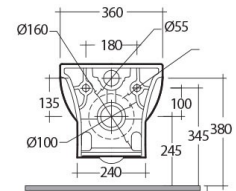
Wall Hung | Water Closet

RAK
CERAMICS



TECHNICAL SPECIFICATIONS

Suite:	RAK-TONIQUE
Type:	Wall Hung
Dimensions:	550 x 360 mm
Weight:	25 Kg
Color:	Alpine White
Trap type:	P Trap
Trapway type:	Concealed
Seat cover options:	ABS & Urea
Bowl shape:	Oval
Soft close:	yes
Flush Type:	Dual Flush



Code	Name
JM05DAWHA	SEAT & COVER (ABS)
TQ13AWHA	TONIQUE WATER CLOSET RIMLESS WALL HUNG W/HIDDEN FIXATIONS 55CM
JM05DSCQRAWHA	JUMEIRAH QRSC ABS seat
YFG173A	RAK-Compact Urea Soft Close Seat Cover
YFG173	RAK-Compact Urea Seat Cover

Dimensions: All dimensions in mm. Tolerance of vitreous china & fireclay items: $\pm 5\%$ for below 200mm and $\pm 3\%$ for above 200mm; for all other items tolerance $\pm 1\%$. Note: Due to a continuing development program to improve design and performance, the manufacturer reserves all rights to vary specifications without prior information. Please note accessories are for photographic use only.