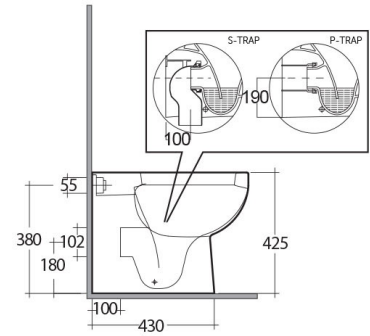
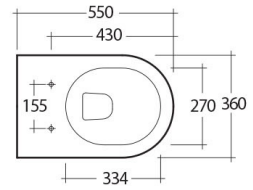


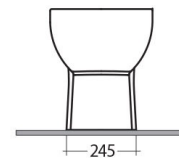
**RAK-TONIQUE**  
**Back to Wall | Water Closet**

**RAK**  
 CERAMICS



**TECHNICAL SPECIFICATIONS**

Suite:	RAK-TONIQUE
Type:	Back to Wall
Dimensions:	550 x 360 mm
Weight:	24 Kg
Color:	Alpine White
Trap type:	P Trap
Trapway type:	Concealed
Seat cover options:	ABS & Urea
Bowl shape:	Oval
Soft close:	yes
Flush Type:	Dual Flush



Code	Name
TQ18AWHA	TONIQUE WATER CLOSET BACK TO WALL P S-TRAP 55CM
JM05DAWHA	SEAT & COVER (ABS)
JM05DSCQRAWHA	JUMEIRAH QRSC ABS seat
YFG173A	RAK-Compact Urea Soft Close Seat Cover
YFG173	RAK-Compact Urea Seat Cover

Dimensions: All dimensions in mm. Tolerance of vitreous china & fireclay items:  $\pm 5\%$  for below 200mm and  $\pm 3\%$  for above 200mm; for all other items tolerance  $\pm 1\%$ . Note: Due to a continuing development program to improve design and performance, the manufacturer reserves all rights to vary specifications without prior information. Please note accessories are for photographic use only.