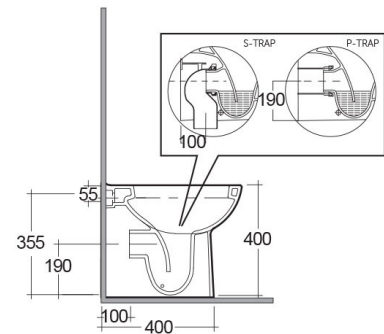
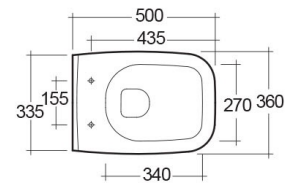


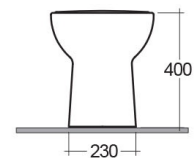
RAK-ORIGIN
Back to Wall | Water Closet

RAK
 CERAMICS



TECHNICAL SPECIFICATIONS

Suite:	RAK-ORIGIN
Type:	Back to Wall
Dimensions:	500 x 360 mm
Weight:	20 Kg
Color:	Alpine White
Trap type:	P Trap & S Trap
Trapway type:	Concealed
Seat cover options:	PP
Bowl shape:	Rounded Rectangle
Soft close:	yes
Flush Type:	Dual Flush



Code	Name
YFG109C	ORIGIN UREA QUICK RELEASE SOFT CLOSE SC
ORG17AWHA	ORIGIN WATER CLOSET BACK TO WALL P S-TRAP 50CM
YFG105C	RAK-Origin P.P. Quick Release Soft Close Seat & Cover

Dimensions: All dimensions in mm. Tolerance of vitreous china & fireclay items: $\pm 5\%$ for below 200mm and $\pm 3\%$ for above 200mm; for all other items tolerance $\pm 1\%$. Note: Due to a continuing development program to improve design and performance, the manufacturer reserves all rights to vary specifications without prior information. Please note accessories are for photographic use only.