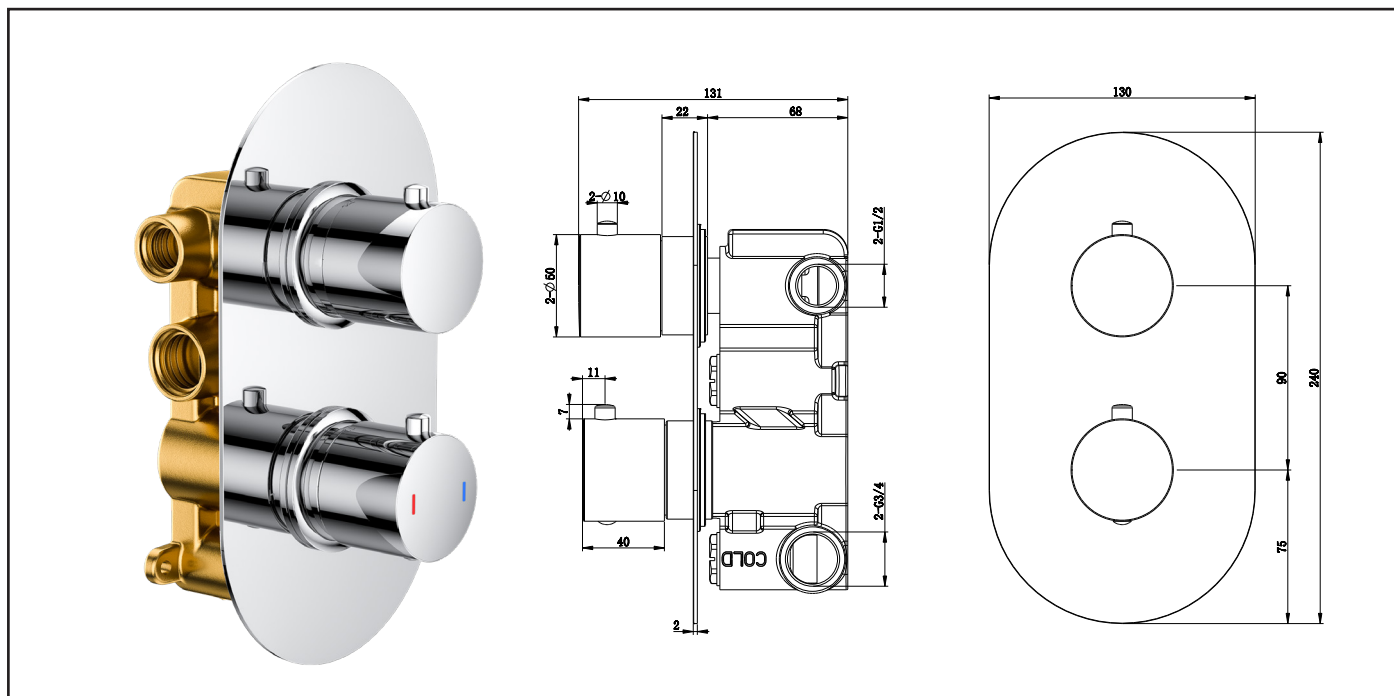


CONCEALED VALVE

Round | 2 Outlet | 2 Handle | Thermostatic

RAK
CERAMICS



Dimensions:

130W x 131D x 240H

Colour:

Chrome (C)

Code:

RAKSHW3202R

Water Pressure:

Min. 0.5 Bar, Max. 5.0 Bar

Warranty:

15 Years

Weight:

2.50Kg

Dimension: All Dimensions in mm tolerance + 5% for below 200mm and + 3% for above 200mm.

Note: Due to a continuing development programme to improve design and performance the manufacturer reserves all rights to vary specifications without prior information.

Please note all accessories are for photographic use only.