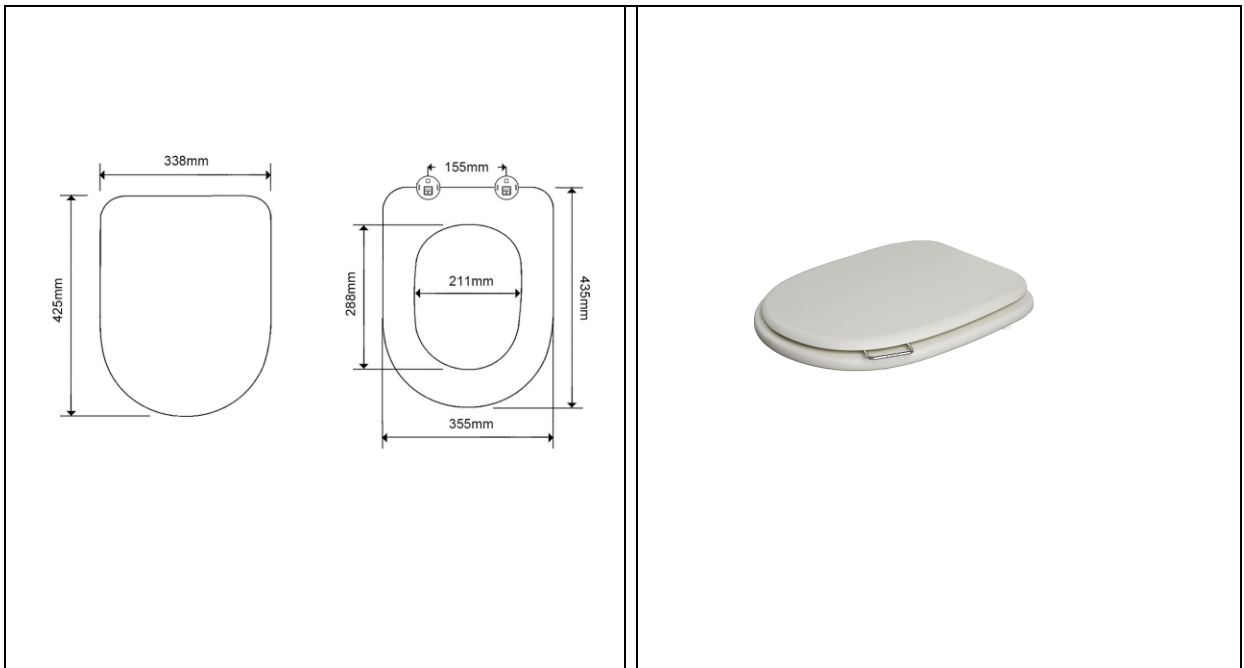


RAK WASHINGTON SEAT

Washington Soft Close Seat and Cover – Matt Greige

RAK
CERAMICS



Dimensions: 425 x 338 mm

Colour: Matt Greige

Code: RAWWTNSEAT505

Warranty: 2 YEARS

Weight: 3.20 KG

Dimensions: All Dimensions in mm tolerance $\pm 5\%$ for below 200mm and $\pm 3\%$ for above 200mm.

Note: Due to a continuing development programme to improve design and performance the manufacturer reserves all rights to vary specifications without prior information.

Please note accessories are for photographic use only.