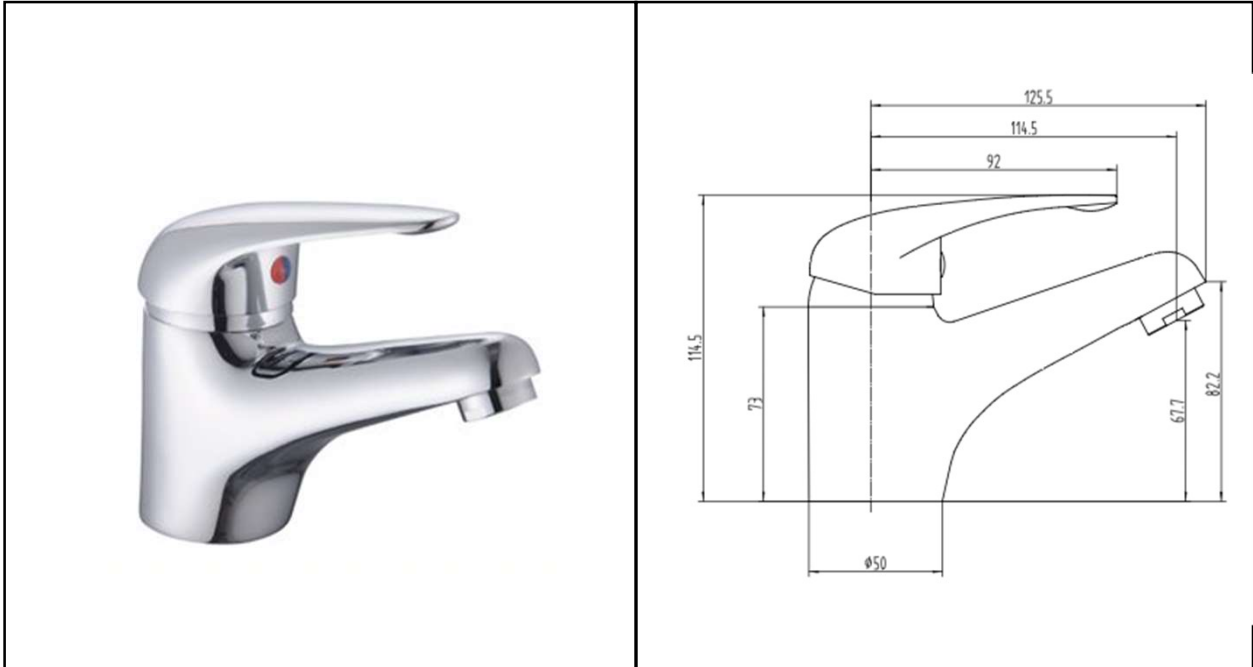


RAK BASIC TAPS

Basin Mixer | Standard | Inc Waste

RAK
CERAMICS



Dimensions: 50w x 125.2d x 82.8h mm

Colour: CHROME

Code: RAKBAS3001

Bar Pressures 0.1 Bar – 6.0 Bar

Warranty 15 YEARS

Weight 1.3 kg

Dimensions: All Dimensions in mm tolerance $\pm 5\%$ for below 200mm and $\pm 3\%$ for above 200mm.
Note: Due to a continuing development programme to improve design and performance the manufacturer reserves all rights to vary specifications without prior information.
Please note accessories are for photographic use only.