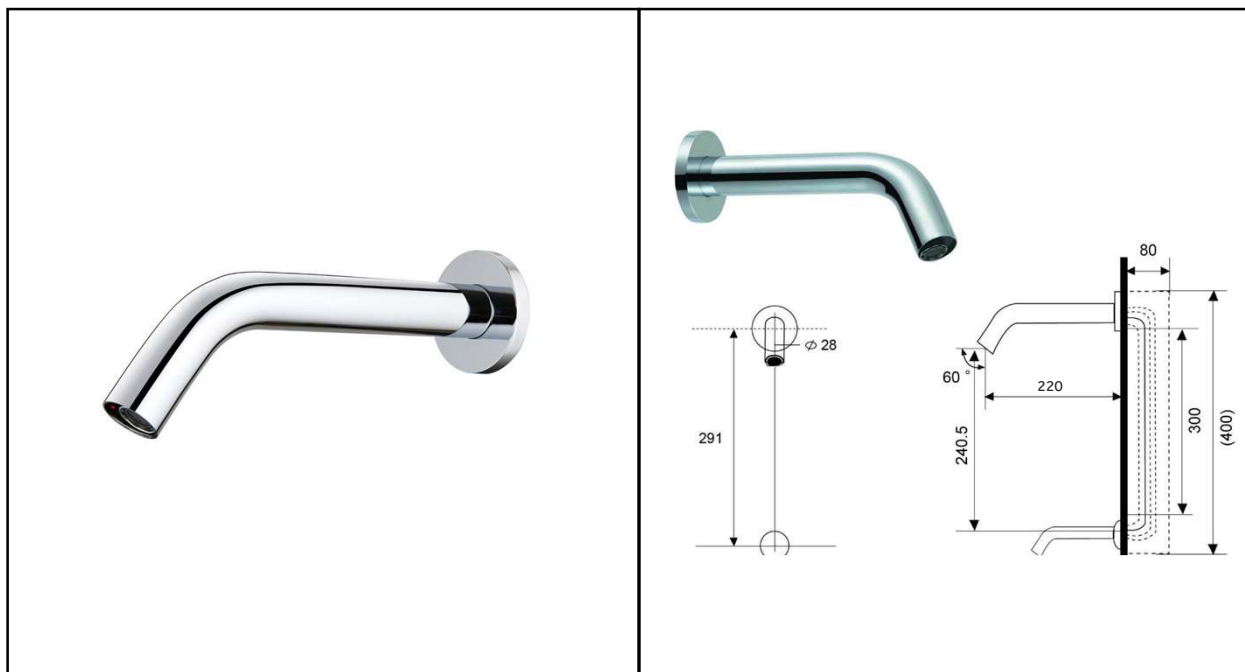


## RAK COMMERCIAL TAPS

Compact Commercial | Wall Mounted | Infra-Red Tap

**RAK**  
CERAMICS



Dimensions: 28w x 220d x 291h mm

Colour: CHROME

Code: RAKCOM902C

Pressure: 0.5 BAR – 6.0 BAR

Warranty: 15 YEARS

Weight: 1.60 KG

Dimensions: All Dimensions in mm tolerance  $\pm 5\%$  for below 200mm and  $\pm 3\%$  for above 200mm.  
Note: Due to a continuing development programme to improve design and performance the manufacturer reserves all rights to vary specifications without prior information.  
Please note accessories are for photographic use only.