

# RAK-FEELING - MP18514A - MATT CAPPUCINNO

Bidets | Back To Wall

**RAK**  
CERAMICS



## Technical specifications

Dimensions: 525 x 337 mm

Weight: 22.6 Kg

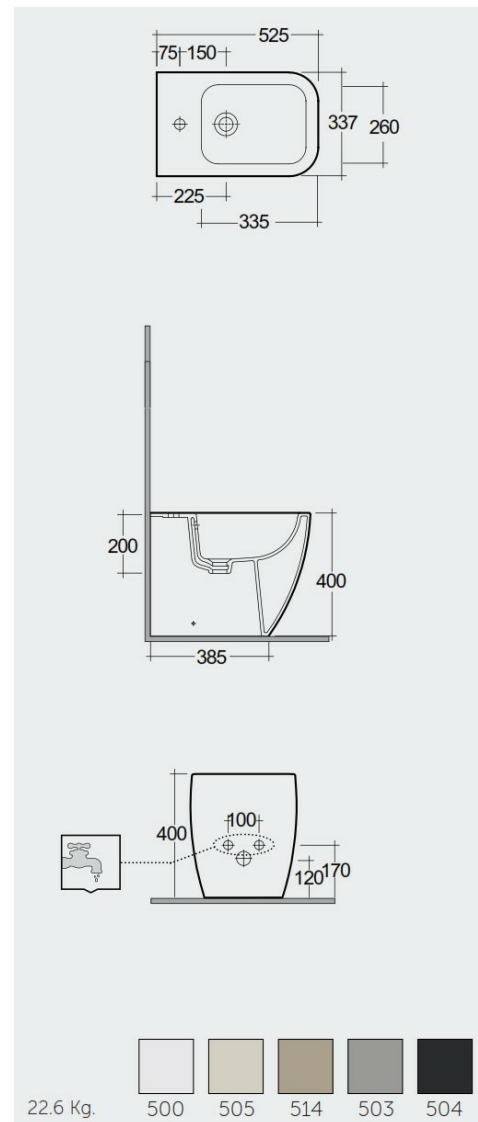
Color: MATT CAPPUCINO - 514

Parts: MP18514A - BACK TO WALL BIDET 52 CM - MATT CAPPUCINNO

Suites: [RAK-FEELING WC'S & BIDETS](#)

Code	Name
------	------

MP18514A	BACK TO WALL BIDET 52 CM - MATT CAPPUCINNO
----------	--



Dimensions: All dimensions in mm. Tolerance of vitreous china & fireclay items:  $\pm 5\%$  for below 200mm and  $\pm 3\%$  for above 200mm; for all other items tolerance  $\pm 1\%$ . Note: Due to a continuing development program to improve design and performance, the manufacturer reserves all rights to vary specifications without prior information. Please note accessories are for photographic use only.