

RAK-FEELING - MP18505A - MATT GREIGE

Bidets | Back To Wall

RAK
CERAMICS



Technical specifications

Dimensions: 525 x 337 mm

Weight: 22.6 Kg

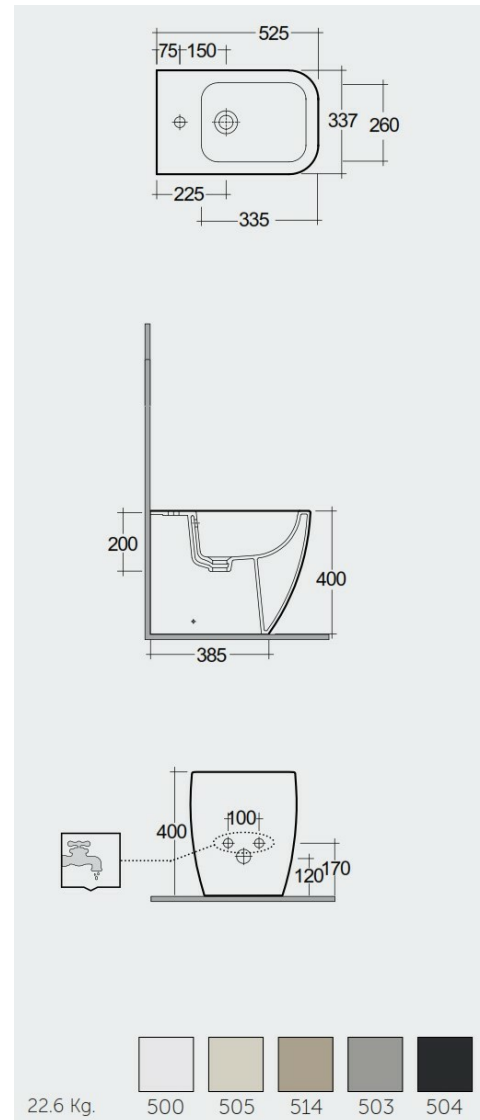
Color: Matt Greige - 505

Parts: MP18505A - BACK TO WALL BIDET 52 CM - MATT GREIGE

Suites: [RAK-FEELING WCs & BIDETS](#)

Code	Name
------	------

MP18505A	BACK TO WALL BIDET 52 CM - MATT GREIGE
----------	--



Dimensions: All dimensions in mm. Tolerance of vitreous china & fireclay items: $\pm 5\%$ for below 200mm and $\pm 3\%$ for above 200mm; for all other items tolerance $\pm 1\%$. Note: Due to a continuing development program to improve design and performance, the manufacturer reserves all rights to vary specifications without prior information. Please note accessories are for photographic use only.