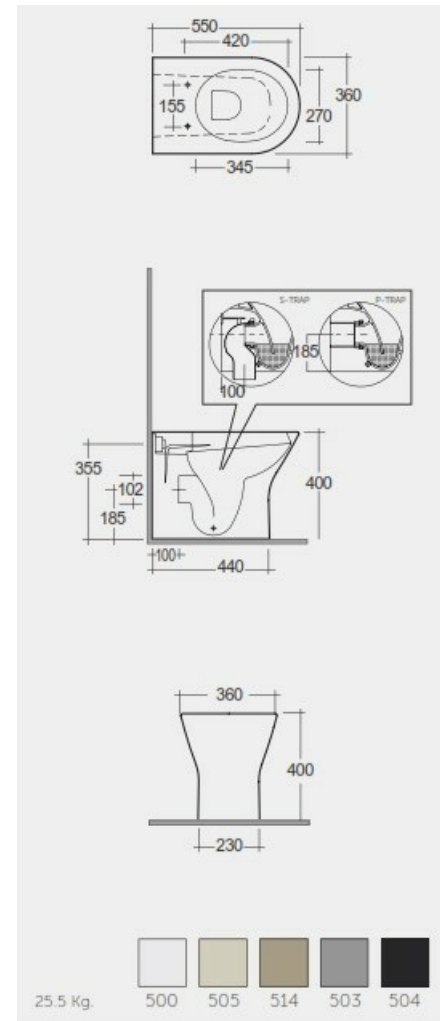


# RAK-FEELING - RST19505A - MATT GREIGE

Back to Wall | Water Closet

**RAK**  
CERAMICS



## Technical specifications

Dimensions:	550 x 360 mm
Weight:	25.5 Kg
Color:	Matt Greige - 505
Trap type:	P Trap & S Trap
Trapway type:	Concealed
Seat cover options:	Urea
Bowl shape:	Compact Oval
Soft close:	yes
Flush Type:	Dual Flush
Suites:	<a href="#">RAK-FEELING WC'S &amp; BIDETS</a>

Code	Name
RST19505A	RAK-FEELING RIMLESS BACK TO WALL WATER CLOSET 55 CM P-TRAP & S-TRAP MATT GREIGE
RSTSC3901505	RAK-FEELING SOFT CLOSE SEAT COVER MATT GREIGE

Dimensions: All dimensions in mm. Tolerance of vitreous china & fireclay items:  $\pm 5\%$  for below 200mm and  $\pm 3\%$  for above 200mm; for all other items tolerance  $\pm 1\%$ . Note: Due to a continuing development program to improve design and performance, the manufacturer reserves all rights to vary specifications without prior information. Please note accessories are for photographic use only.