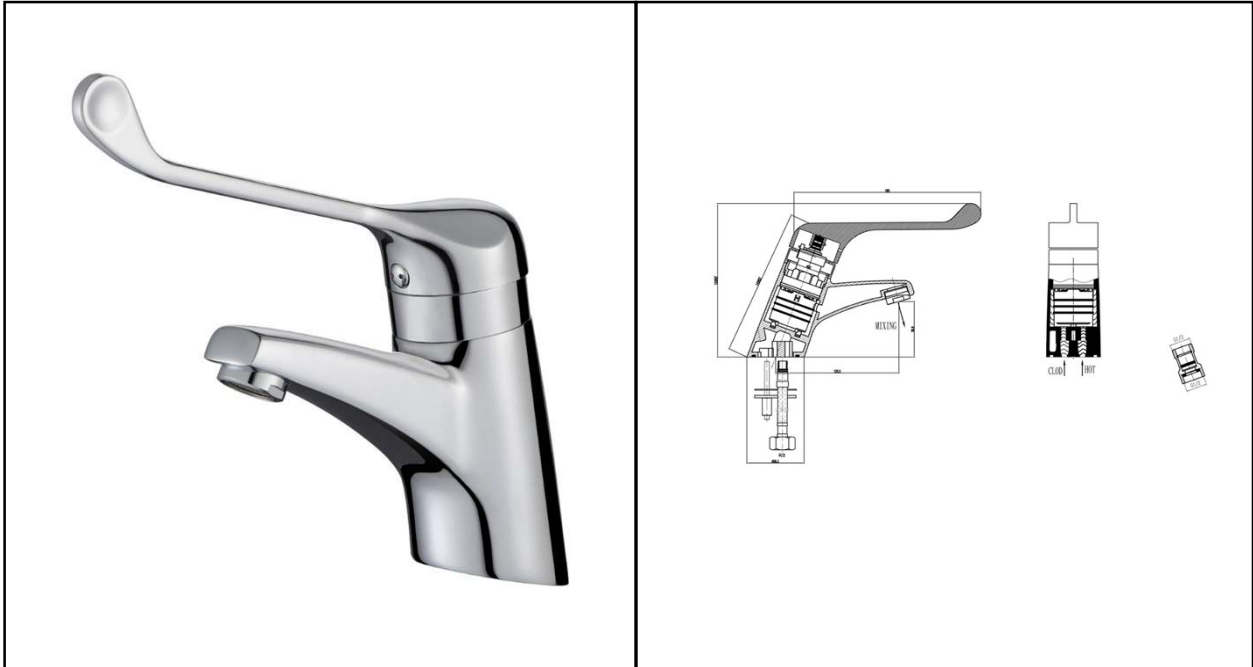


COMMERCIAL TAPS
Sequential Thermostatic | Basin Mixer

RAK
CERAMICS



Dimensions: 55w x 185d x 163h mm

Colour: CHROME

Code: RAKTMV3303

Pressures: 0.2 BAR – 6.0 BAR

Warranty: 15 YEARS

Weight: 2.13 KG

Dimensions: All Dimensions in mm tolerance $\pm 5\%$ for below 200mm and $\pm 3\%$ for above 200mm.
Note: Due to a continuing development programme to improve design and performance the manufacturer reserves all rights to vary specifications without prior information.
Please note accessories are for photographic use only.