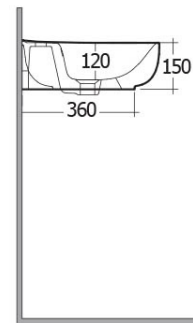
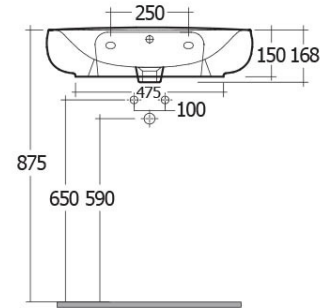
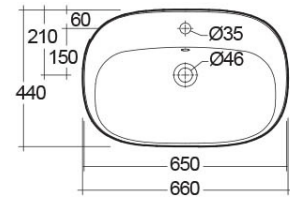


RAK-ILLUSION
Wash basin | Wall Hung

RAK
 CERAMICS



TECHNICAL SPECIFICATIONS

Suite:	RAK-ILLUSION
Type:	Wall Hung
Dimensions:	650 x 440 mm
Weight:	18 Kg
Color:	Alpine White
Shape of basin:	Rounded Rectangle
Overflow hole:	yes

Code	Name
ILLWB6501AWHA	RAK-ILLUSION

Dimensions: All dimensions in mm. Tolerance of vitreous china & fireclay items: ± 5% for below 200mm and ± 3% for above 200mm; for all other items tolerance ± 1%. Note: Due to a continuing development program to improve design and performance, the manufacturer reserves all rights to vary specifications without prior information. Please note accessories are for photographic use only.