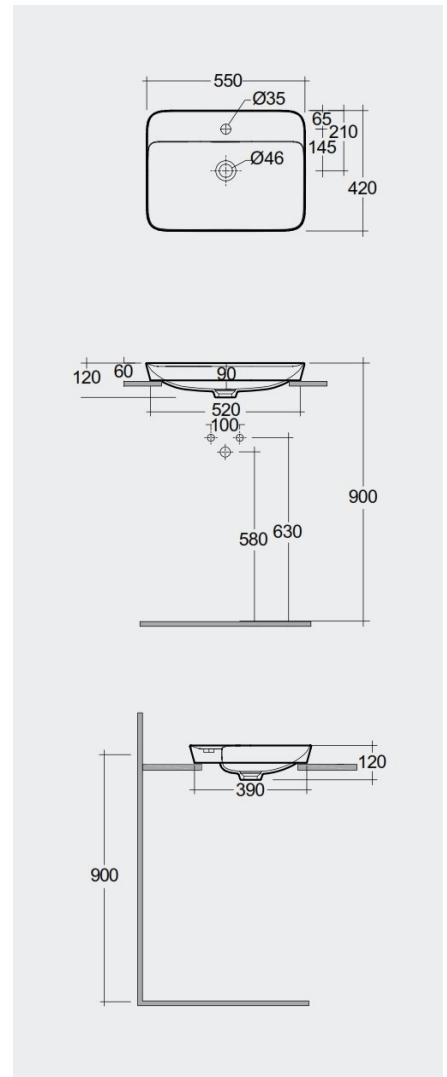


RAK-VARIANT - VARDI55501AWHA

Wash basin | Drop In

RAK
CERAMICS



TECHNICAL SPECIFICATIONS

Suite:	RAK-VARIANT
Type:	Drop In
Dimensions:	550 x 420 mm
Weight:	9.5 Kg
Color:	Alpine White
Shape of basin:	Rectangle

Code	Name
VARDI55501AWHA	RECTANGLE DROP IN WASH BASIN WITH TAP HOLE 55 CM - VARDI55501AWHA

Dimensions: All dimensions in mm. Tolerance of vitreous china & fireclay items: $\pm 5\%$ for below 200mm and $\pm 3\%$ for above 200mm; for all other items tolerance $\pm 1\%$. Note: Due to a continuing development program to improve design and performance, the manufacturer reserves all rights to vary specifications without prior information. Please note accessories are for photographic use only.