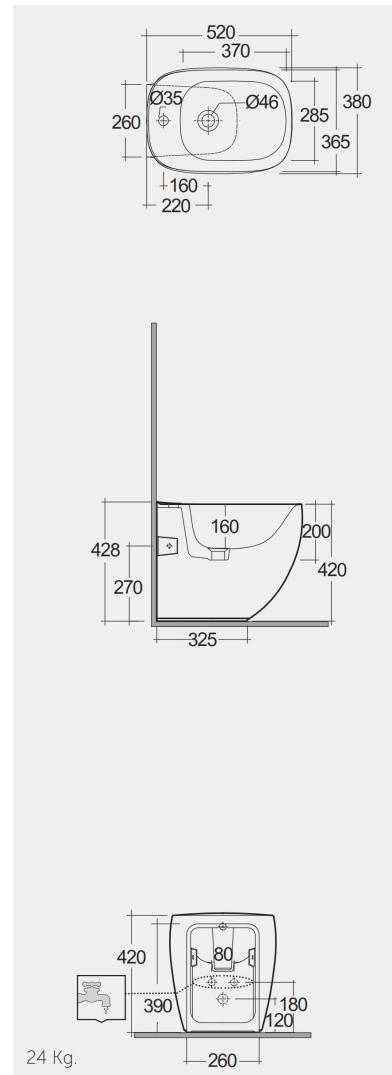


RAK-ILLUSION-W/HIDDEN FIXATIONS

Bidets | Back To Wall

RAK
CERAMICS



TECHNICAL SPECIFICATIONS

Suite:	RAK-ILLUSION
Type:	Back To Wall
Dimensions:	520 x 380 mm
Weight:	24 Kg
Color:	Alpine White

Code	Name
ILLBD2015AWHA	RAK-ILLUSION-W/HIDDEN FIXATIONS

Dimensions: All dimensions in mm. Tolerance of vitreous china & fireclay items: $\pm 5\%$ for below 200mm and $\pm 3\%$ for above 200mm; for all other items tolerance $\pm 1\%$. Note: Due to a continuing development program to improve design and performance, the manufacturer reserves all rights to vary specifications without prior information. Please note accessories are for photographic use only.