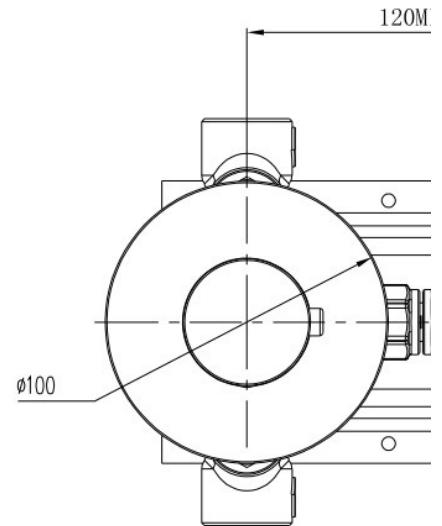
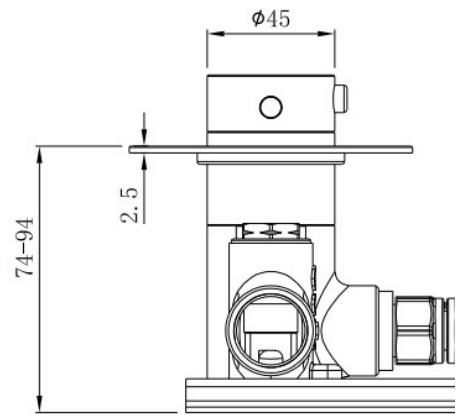


RAK-PETIT - RAKPER3024G

Faucets

RAK
CERAMICS



TECHNICAL SPECIFICATIONS

| | |
|------------------------|-------------------------|
| Suite: | RAK-Petit |
| Type: | RAK-Petit - RAKPER3024G |
| Dimensions: | 110 x 100 mm |
| Pressure: | 1 l |
| Weight: | 1.49 Kg |
| Chrome thickness: | 0.00 |
| Cartridge: | No |
| Tail: | NA |
| Handset wall brackets: | No |
| Color: | Brush Gold |

| Code | Name |
|-------------|--|
| RAKPER3024G | RAK-Petit Round Concealed Thermostatic Valve in Brush Gold |

Dimensions: All dimensions in mm. Tolerance of vitreous china & fireclay items: $\pm 5\%$ for below 200mm and $\pm 3\%$ for above 200mm; for all other items tolerance $\pm 1\%$. Note: Due to a continuing development program to improve design and performance, the manufacturer reserves all rights to vary specifications without prior information. Please note accessories are for photographic use only.