

## ORIDIAN INSET IGNEOUS GRANITE SINK

ORI5902CO/



**Size: 590 x 500 mm**

Create a modern finished look with the addition of an Oridian granite bowl.

The Oridian collection features large bowls offering ample space to wash large pots and pans, available in separate inset and undermount collections.

- Igneous granite material, 80% quartz & 20% acrylic
- Large bowls
- Separate inset and undermount collections
- Waste kit included

# RANGEMASTER

## SINKS & TAPS

Material	Igneous Granite
Material Gauge	-
Material Finish Bowl	-
Material Finish Drainer	-
Drainer Position	
Overall Length (mm)	590
Overall Width (mm)	500
Main Bowl Length (mm)	325
Main Bowl Width (mm)	400
Main Bowl Depth (mm)	200
Second Bowl Length (mm)	160
Second Bowl Width (mm)	400
Second Bowl Depth (mm)	155
Tap hole Size (mm)	1 x 35
Waste Size (mm)	2 x 90
Waste Kit	Included with sink (2 x 89mm BSW & overflow kit)
Min. Base Unit (mm)	600
Cutout Size Length (mm)	570
Cutout Size Width (mm)	480
Warranty Sinks (years)	20
Product Code	ORI5902CO/
Barcode	5015834056722

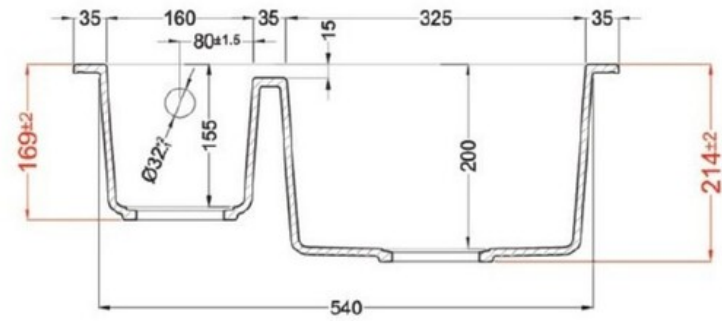
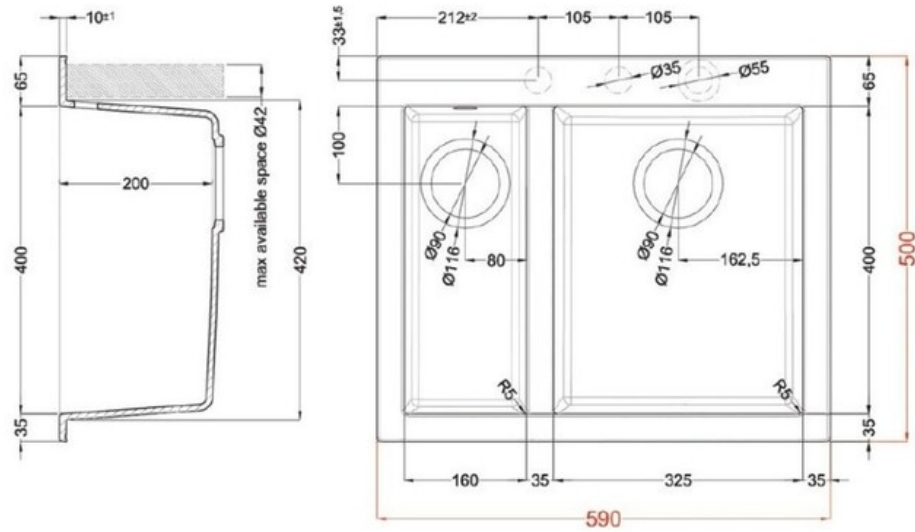
Date of download: July 23, 2025

AGA Rangemaster continuously seeks improvements in specification, design and production of products and thus, alterations take place periodically. Whilst every effort is made to produce up-to date resources, the information included here is intended as a guide. Always refer to the product's installation instructions when fitting, installation work should be completed a professional tradesman.

# ORIDIAN INSET IGNEOUS GRANITE SINK

ORI5902CO/

## Technical Drawing





AGA Rangemaster continuously seeks improvements in specification, design and production of products and thus, alterations take place periodically. Whilst every effort is made to produce up-to date resources, the information included here is intended as a guide. Always refer to the product's installation instructions when fitting, installation work should be completed a professional tradesman.