

## LOA IGNEOUS GRANITE SINK

LOA1052CO/



### Size: 1000 x 500 mm

The Loa sink is available in four colour options and features a sleek, modern design that is ideal for contemporary kitchens. Made from Igneous granite, this sink offers easy cleaning and high resistance to scratches, heat, rust, and stains.

Features include:

- Igneous granite
- Reversible drainer
- Waste & plumbing kit included
- 25 year warranty

# RANGEMASTER

## SINKS & TAPS

Material	Igneous Granite
Material Gauge	
Material Finish Bowl	
Material Finish Drainer	
Drainer Position	Reversible
Overall Length (mm)	1000
Overall Width (mm)	500
Main Bowl Length (mm)	360
Main Bowl Width (mm)	434
Main Bowl Depth (mm)	180
Second Bowl Length (mm)	145
Second Bowl Width (mm)	300
Second Bowl Depth (mm)	128
Tap hole Size (mm)	
Waste Size (mm)	2 x 90
Waste Kit	Included with sink (2 x 90mm BSW & overflow kit)
Min. Base Unit (mm)	600
Cutout Size Length (mm)	
Cutout Size Width (mm)	
Warranty Sinks (years)	20
Product Code	LOA1052CO/
Barcode	

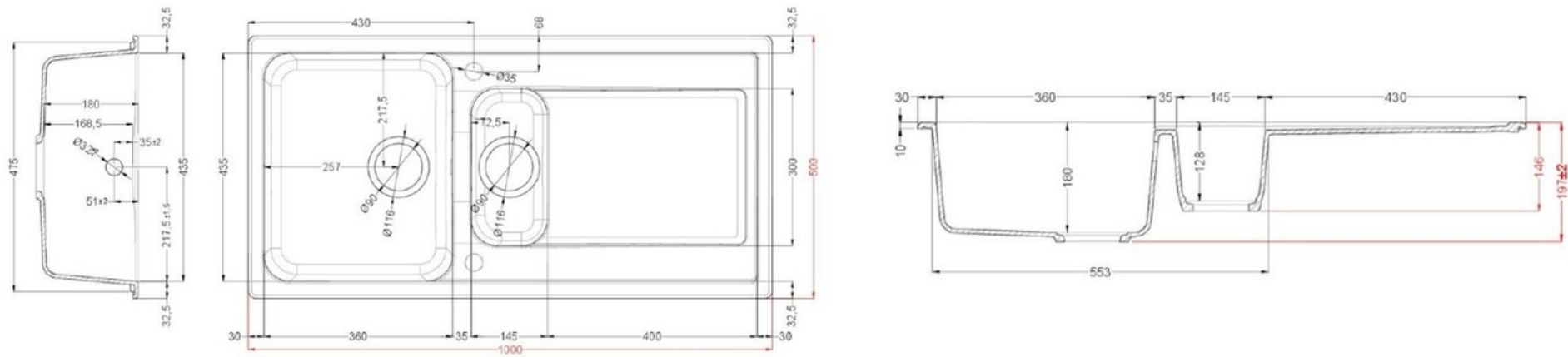
Date of download: July 17, 2025

AGA Rangemaster continuously seeks improvements in specification, design and production of products and thus, alterations take place periodically. Whilst every effort is made to produce up-to date resources, the information included here is intended as a guide. Always refer to the product's installation instructions when fitting, installation work should be completed a professional tradesman.

# LOA IGNEOUS GRANITE SINK

LOA1052CO/

## Technical Drawing



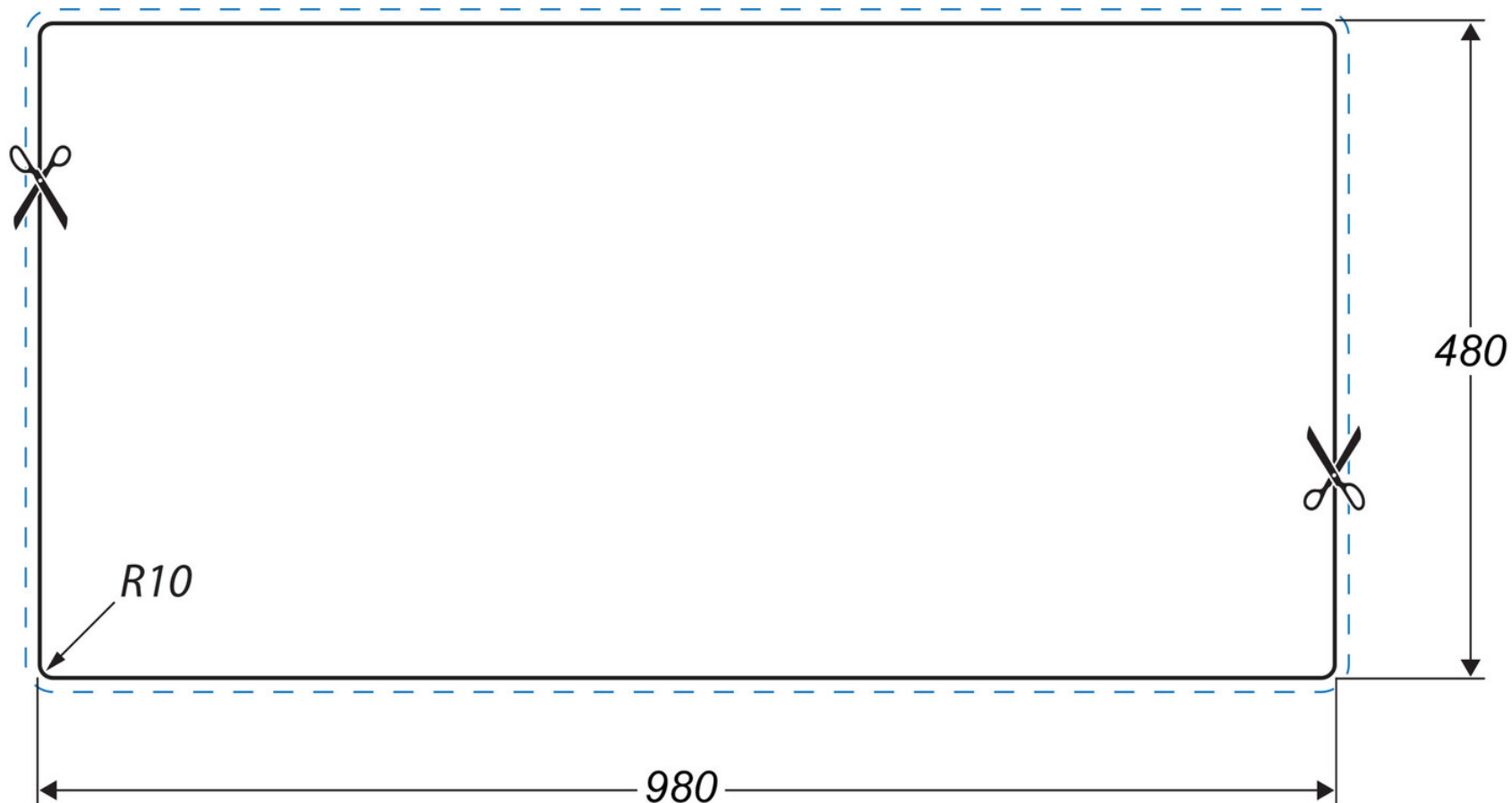
AGA Rangemaster continuously seeks improvements in specification, design and production of products and thus, alterations take place periodically. Whilst every effort is made to produce up-to date resources, the information included here is intended as a guide. Always refer to the product's installation instructions when fitting, installation work should be completed a professional tradesman.

## LOA IGNEOUS GRANITE SINK

LOA1052CO/

### Cut Out Template

Dimensions in mm. Not to scale.



AGA Rangemaster continuously seeks improvements in specification, design and production of products and thus, alterations take place periodically. Whilst every effort is made to produce up-to date resources, the information included here is intended as a guide. Always refer to the product's installation instructions when fitting, installation work should be completed a professional tradesman.