

## PRATO IGNEOUS GRANITE INSET SINK

PRA790PE/



### Size: 790 x 510 mm

Divided into three different working levels to maximise the space available within the bowl to provide a functional compact workstation which will help the aid of food preparation for the everyday culinary chef. Sliding accessories (cutting board, colander and flex drainer) can be positioned on three levels dependent on your food preparation needs.

Our workstation is designed to conceal modern kitchen mess with style and takes the trend for granite sinks a step further by adding hidden functionality.

- Igneous granite material, 80% quartz & 20% acrylic
- Workstation with compatible accessories included
- Waste kit included

# RANGEMASTER

## SINKS & TAPS

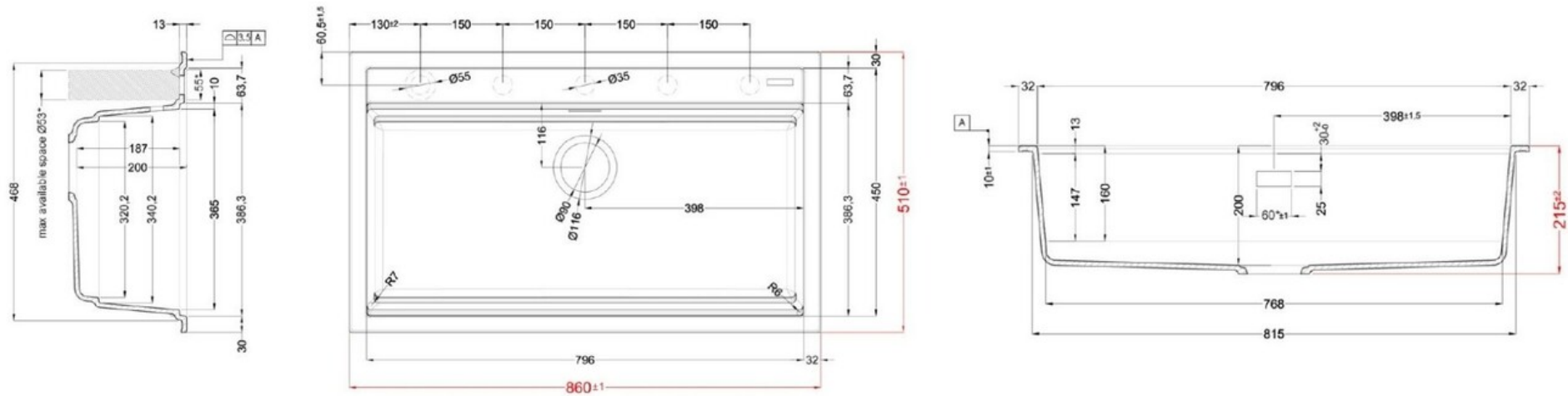
Material	Igneous Granite
Material Gauge	-
Material Finish Bowl	-
Material Finish Drainer	-
Drainer Position	
Overall Length (mm)	790
Overall Width (mm)	510
Main Bowl Length (mm)	726
Main Bowl Width (mm)	386
Main Bowl Depth (mm)	200
Second Bowl Length (mm)	-
Second Bowl Width (mm)	-
Second Bowl Depth (mm)	-
Tap hole Size (mm)	1x35 - to knockout upon installation
Waste Size (mm)	1 x 90
Waste Kit	Included with sink (1 x 90mm BSW & overflow kit)
Min. Base Unit (mm)	800
Cutout Size Length (mm)	770
Cutout Size Width (mm)	480
Warranty Sinks (years)	10
Product Code	PRA790PE/
Barcode	

Date of download: July 17, 2025

# PRATO IGNEOUS GRANITE INSET SINK

PRA790PE/

## Technical Drawing





AGA Rangemaster continuously seeks improvements in specification, design and production of products and thus, alterations take place periodically. Whilst every effort is made to produce up-to date resources, the information included here is intended as a guide. Always refer to the product's installation instructions when fitting, installation work should be completed a professional tradesman.