

QUAD DUAL LEVER TAP CHROME

TQUADDLCM/



Designed with a contemporary edge, the new Quad tap seamlessly complements the Quad undermount range. This sleek and squared masterpiece fits perfectly into any modern kitchen.

- Suitable for medium pressure water systems
- Featuring an anti-splash spout with honeycomb aerator design which mixes air with water to emit a water flow with no splash

RANGEMASTER

SINKS & TAPS

Overall Height (mm)	341
Spout Reach (mm)	200
Spout Height (mm)	
Spout Rotation Range	360
Handle Type	Dual Lever
Colour	Chrome
Bar Pressure Suitability	Medium Pressure
Min. Bar Pressure	0.5
Max. Bar Pressure	5
Mixed Flow Rate at 3 Bar Pressure (l/min)	
Flow Type	Single Flow
Recommended Hot Water Temperature	46
Maximum Hot Water Temperature	70
Handle Control	
Centre Distance (mm)	
Cartridge Type	Ceramic Disc Cartridge
Aerator Type	Honeycomb Aerator
Inlet Pipes	Stainless Flexible Hoses
Anti-Splash Spout	Yes
Pull Out Spray	
WRAS Approved	
Product Code	TQUADDLCM/
Barcode	

Date of download: July 16, 2025

AGA Rangemaster continuously seeks improvements in specification, design and production of products and thus, alterations take place periodically. Whilst every effort is made to produce up to date resources, the information included here is intended as a guide. Always refer to the installation instructions when fitting, installation work should be completed by a professional tradesman.

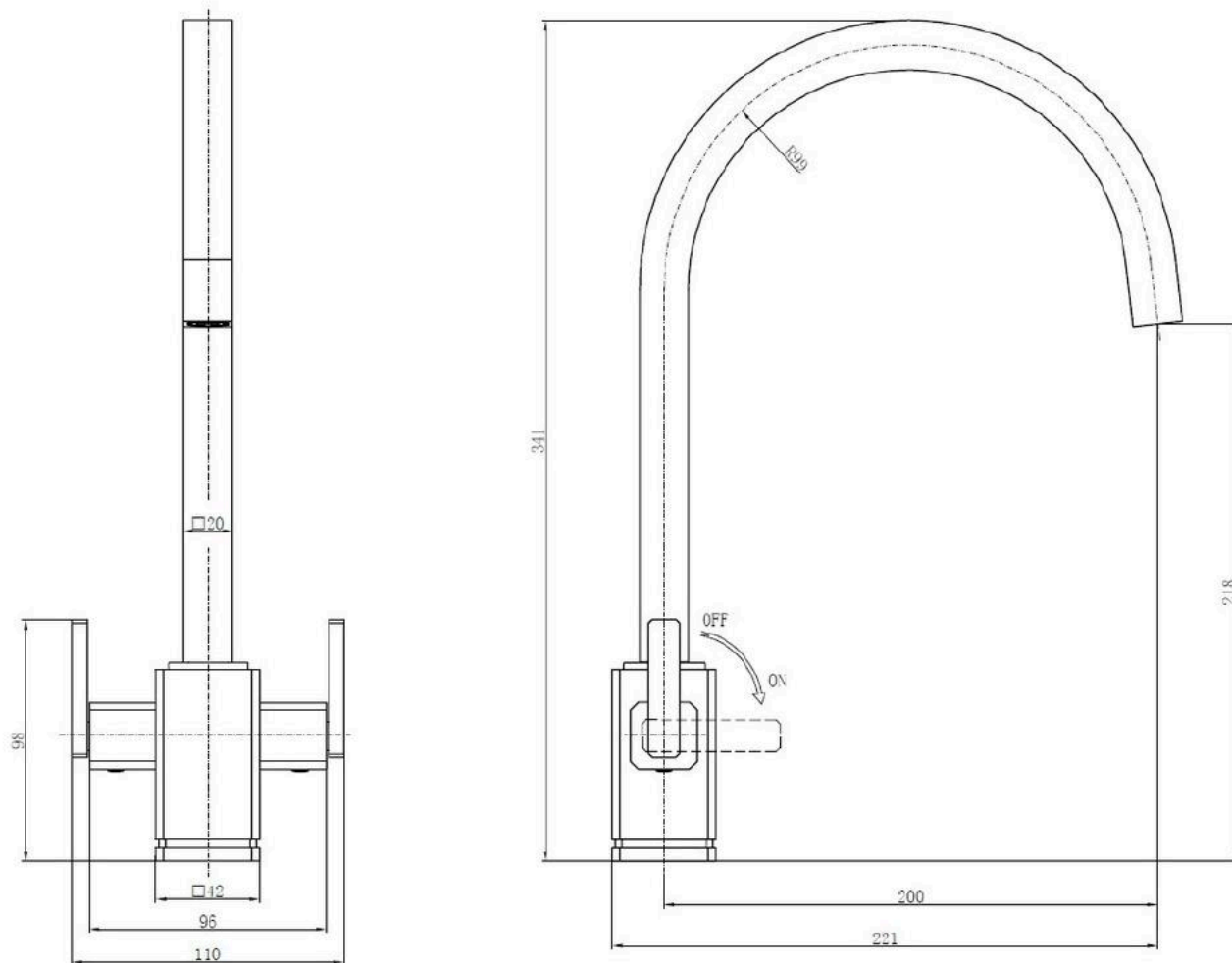
QUAD DUAL LEVER TAP CHROME

TQUADDLCM/

RANGEMASTER

SINKS & TAPS

Technical Drawing



Date of download: July 16, 2025

AGA Rangemaster continuously seeks improvements in specification, design and production of products and thus, alterations take place periodically. Whilst every effort is made to produce up to date resources, the information included here is intended as a guide. Always refer to the installation instructions when fitting, installation work should be completed by a professional tradesman.