

# WAVERLEY DUAL LEVER TAP CHROME

TWAVDLPN/



The Waverley collection exudes Farmhouse luxe, with its unique handle design featuring intricate contouring detail and its classic spout design - the Waverley kitchen is the perfect accompaniment to a fire-clay kitchen sink.

- Available in three colourways: Antique Brass, English Bronze & Polished Nickel
- Featuring an anti-splash spout with honeycomb aerator design, which mixes air with water to emit a water flow with no splash
- Compatible with all pressure systems
- 5 year warranty

# RANGEMASTER

## SINKS & TAPS

Overall Height (mm)	295
Spout Reach (mm)	228
Spout Height (mm)	226
Spout Rotation Range	360°
Handle Type	Dual Lever
Colour	Chrome
Bar Pressure Suitability	All Pressure
Min. Bar Pressure	0.4
Max. Bar Pressure	5.5
Mixed Flow Rate at 3 Bar Pressure (l/min)	13.94
Flow Type	Single Flow
Recommended Hot Water Temperature	46°C
Maximum Hot Water Temperature	70°C
Handle Control	Quarter Turn
Centre Distance (mm)	-
Cartridge Type	Ceramic Disc Cartridge
Aerator Type	Honeycomb Aerator
Inlet Pipes	1/2" Stainless Flexible Hoses
Anti-Splash Spout	Yes
Pull Out Spray	No
WRAS Approved	No
Product Code	TWAVDLPN/
Barcode	

Date of download: July 17, 2025

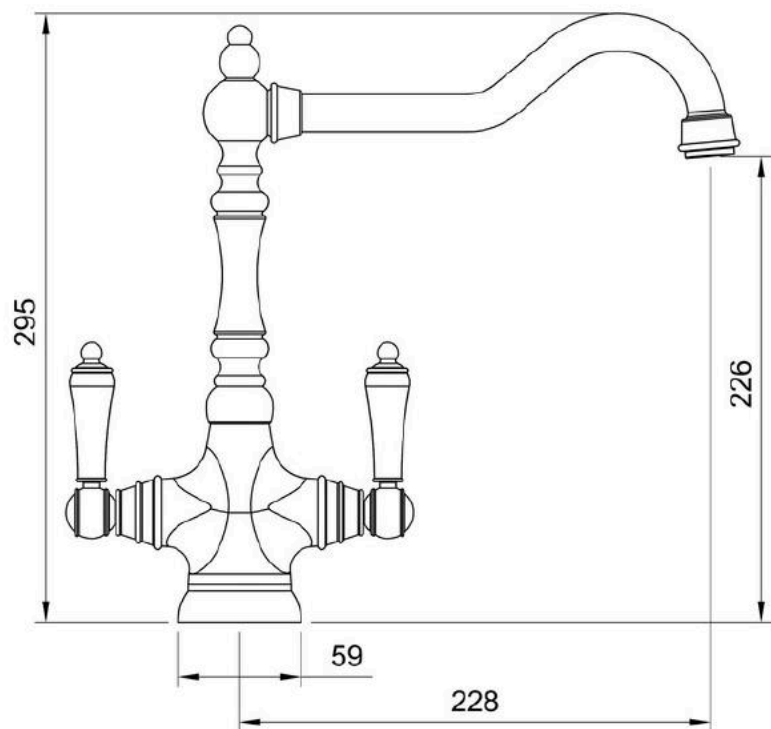
AGA Rangemaster continuously seeks improvements in specification, design and production of products and thus, alterations take place periodically. Whilst every effort is made to produce up to date resources, the information included here is intended as a guide. Always refer to the installation instructions when fitting, installation work should be completed by a professional tradesman.

## WAVERLEY DUAL LEVER TAP CHROME

TWAVDLPN/

**RANGEMASTER**  
SINKS & TAPS

### Technical Drawing



Date of download: July 17, 2025

AGA Rangemaster continuously seeks improvements in specification, design and production of products and thus, alterations take place periodically. Whilst every effort is made to produce up to date resources, the information included here is intended as a guide. Always refer to the installation instructions when fitting, installation work should be completed by a professional tradesman.