

PARAGON IGNEOUS GRANITE UNDERMOUNT SINK

PAR3115AS/



Size: 550 x 430 mm

Go under-mounted for a sleek, seamless worksurface. Boasting a modern, geometric design, the Paragon kitchen sink is the perfect match for composite worksurfaces.

- Igneous granite
- Right-hand installation
- Waste kit included
- 25 year warranty

RANGEMASTER

SINKS & TAPS

Material	Igneous Granite
Material Gauge	-
Material Finish Bowl	-
Material Finish Drainer	-
Drainer Position	
Overall Length (mm)	550
Overall Width (mm)	430
Main Bowl Length (mm)	310
Main Bowl Width (mm)	370
Main Bowl Depth (mm)	200
Second Bowl Length (mm)	152
Second Bowl Width (mm)	370
Second Bowl Depth (mm)	130
Tap hole Size (mm)	-
Waste Size (mm)	2 x 90
Waste Kit	Included with sink (2 x 90mm BSW & overflow kit)
Min. Base Unit (mm)	600
Cutout Size Length (mm)	490
Cutout Size Width (mm)	370
Warranty Sinks (years)	20
Product Code	PAR3115AS/
Barcode	5015834047201

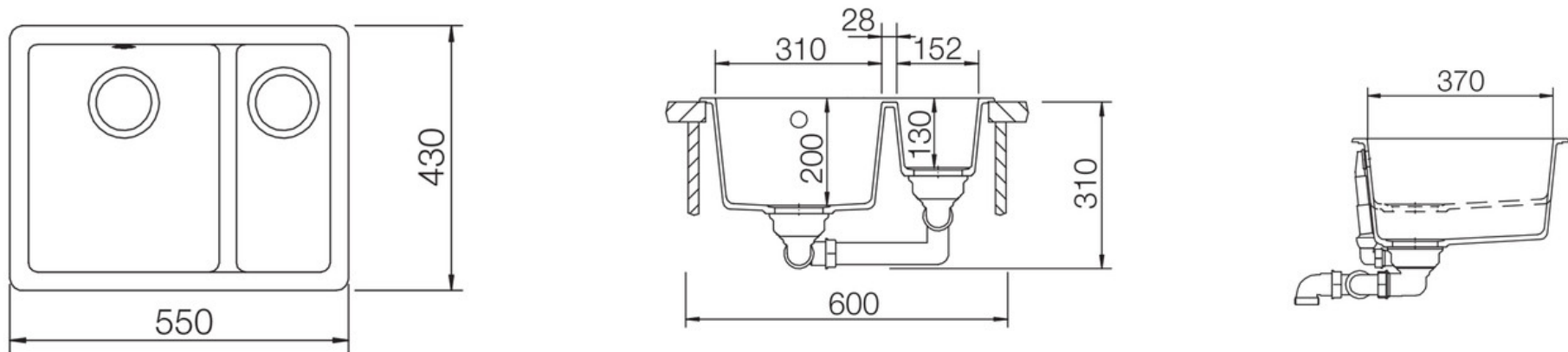
Date of download: December 01, 2025

AGA Rangemaster continuously seeks improvements in specification, design and production of products and thus, alterations take place periodically. Whilst every effort is made to produce up-to date resources, the information included here is intended as a guide. Always refer to the product's installation instructions when fitting, installation work should be completed a professional tradesman.

PARAGON IGNEOUS GRANITE UNDERMOUNT SINK

PAR3115AS/

Technical Drawing



Date of download: December 01, 2025

AGA Rangemaster continuously seeks improvements in specification, design and production of products and thus, alterations take place periodically. Whilst every effort is made to produce up-to date resources, the information included here is intended as a guide. Always refer to the product's installation instructions when fitting, installation work should be completed a professional tradesman.

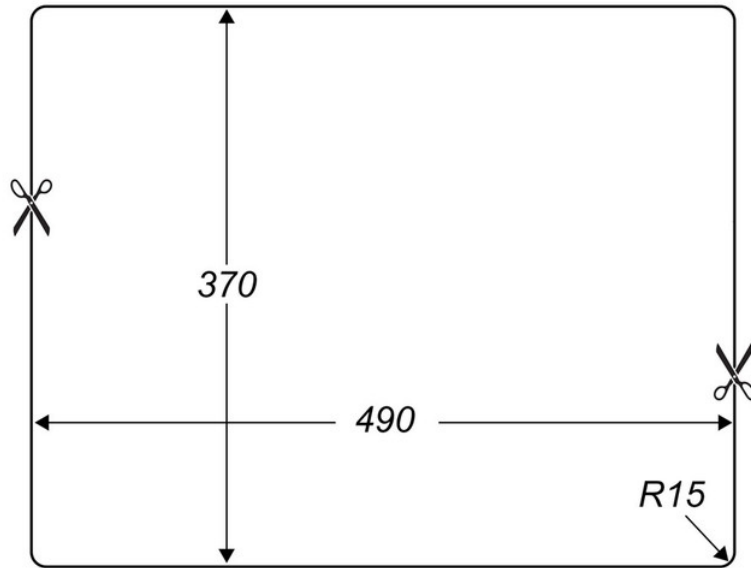
PARAGON IGNEOUS GRANITE UNDERMOUNT SINK

PAR3115AS/

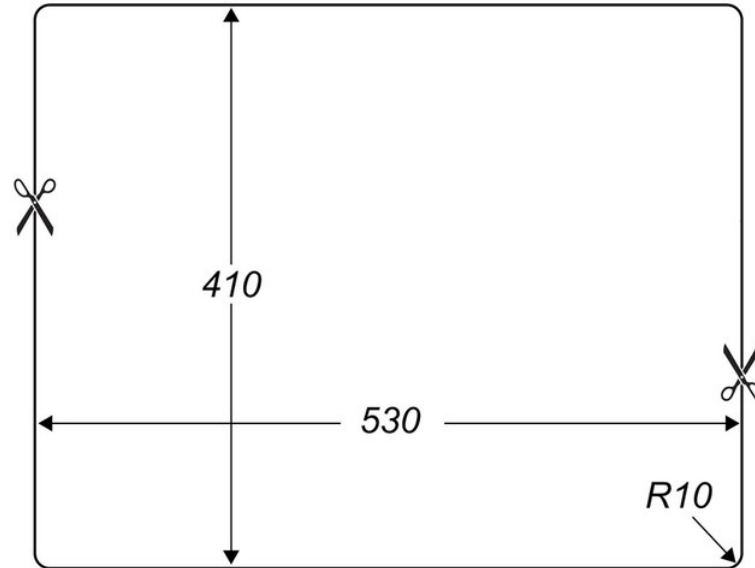
Cut Out Template

Dimensions in mm. Not to scale.

UNDERMOUNT INSTALLATION



INSET INSTALLATION



Date of download: December 01, 2025

AGA Rangemaster continuously seeks improvements in specification, design and production of products and thus, alterations take place periodically. Whilst every effort is made to produce up-to date resources, the information included here is intended as a guide. Always refer to the product's installation instructions when fitting, installation work should be completed a professional tradesman.