

## PARAGON IGNEOUS GRANITE UNDERMOUNT SINK

PAR4553CW/



### Size: 533 x 457 mm

Go under-mounted for a sleek, seamless worksurface. Boasting a modern, geometric design, the Paragon kitchen sink is the perfect match for composite worksurfaces.

- Igneous granite
- Reversible drainer
- Waste kit included
- 25 year warranty

# RANGEMASTER

## SINKS & TAPS

|                         |  |
|-------------------------|--|
| Material                | Igneous Granite                                  |
| Material Gauge          | -  |
| Material Finish Bowl    | -  |
| Material Finish Drainer | -  |
| Drainer Position        |  |
| Overall Length (mm)     | 533  |
| Overall Width (mm)      | 457  |
| Main Bowl Length (mm)   | 469  |
| Main Bowl Width (mm)    | 393  |
| Main Bowl Depth (mm)    | 209  |
| Second Bowl Length (mm) | -  |
| Second Bowl Width (mm)  | -  |
| Second Bowl Depth (mm)  | -  |
| Tap hole Size (mm)      | -  |
| Waste Size (mm)         | 1 x 90   |
| Waste Kit               | Included with sink (1 x 90mm BSW & overflow kit) |
| Min. Base Unit (mm)     | 600  |
| Cutout Size Length (mm) | 488  |
| Cutout Size Width (mm)  | 410  |
| Warranty Sinks (years)  | 20   |
| Product Code            | PAR4553CW/                                       |
| Barcode                 | 5015834049885                                    |

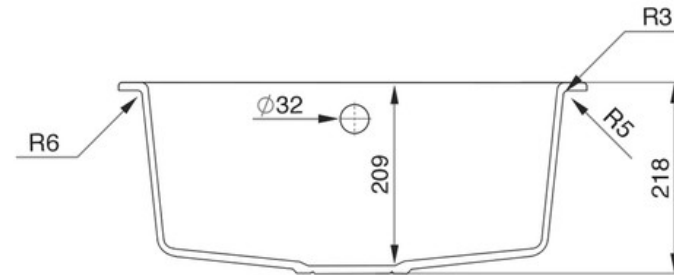
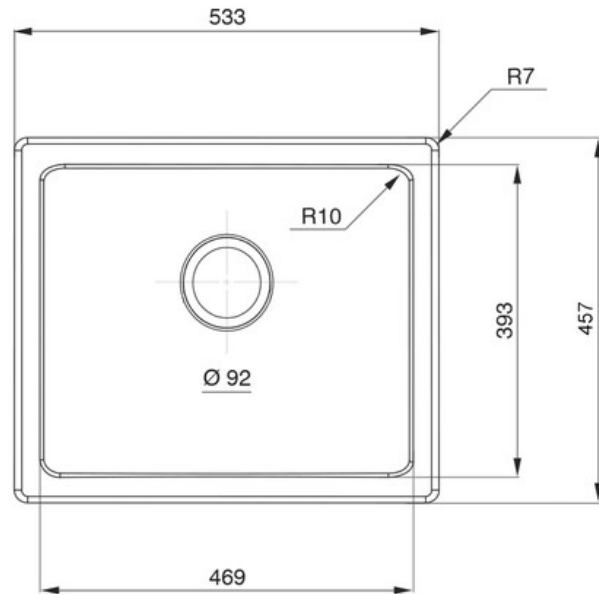
Date of download: December 01, 2025

AGA Rangemaster continuously seeks improvements in specification, design and production of products and thus, alterations take place periodically. Whilst every effort is made to produce up-to date resources, the information included here is intended as a guide. Always refer to the product's installation instructions when fitting, installation work should be completed a professional tradesman.

# PARAGON IGNEOUS GRANITE UNDERMOUNT SINK

PAR4553CW/

## Technical Drawing



Date of download: December 01, 2025

AGA Rangemaster continuously seeks improvements in specification, design and production of products and thus, alterations take place periodically. Whilst every effort is made to produce up-to-date resources, the information included here is intended as a guide. Always refer to the product's installation instructions when fitting, installation work should be completed a professional tradesman.

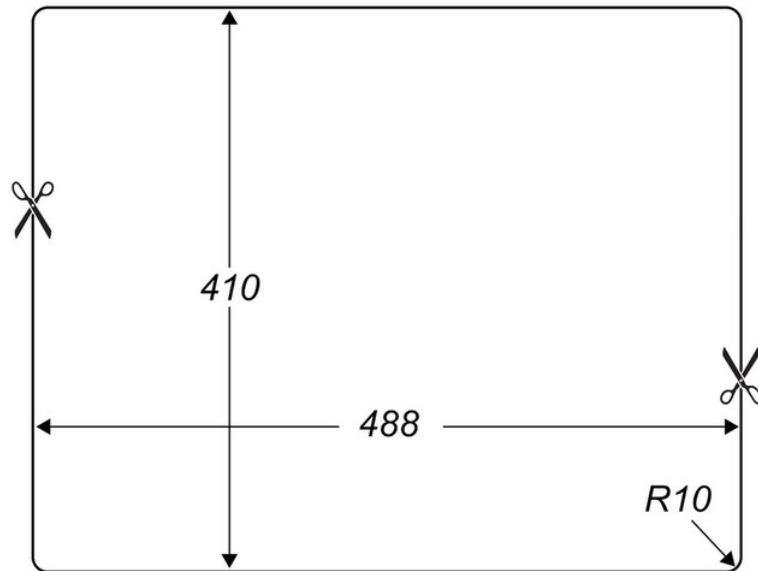
# PARAGON IGNEOUS GRANITE UNDERMOUNT SINK

PAR4553CW/

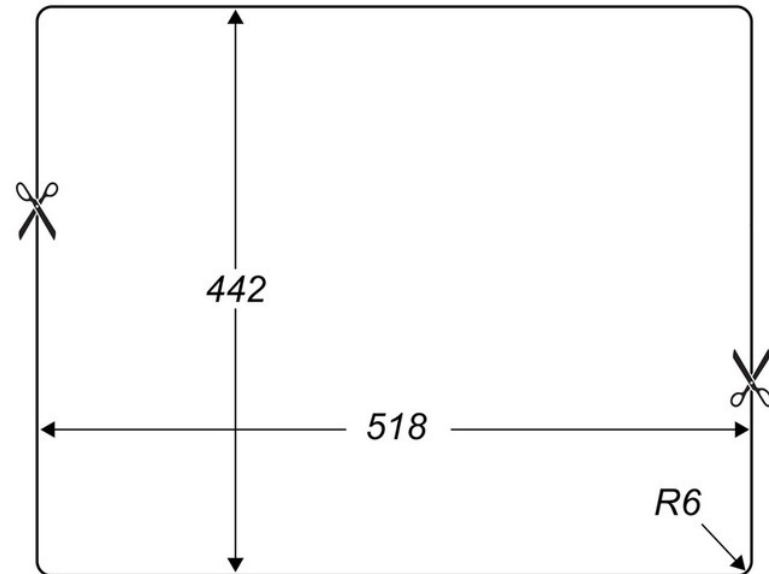
## Cut Out Template

Dimensions in mm. Not to scale.

### UNDERMOUNT INSTALLATION



### INSET INSTALLATION



Date of download: December 01, 2025

AGA Rangemaster continuously seeks improvements in specification, design and production of products and thus, alterations take place periodically. Whilst every effort is made to produce up-to date resources, the information included here is intended as a guide. Always refer to the product's installation instructions when fitting, installation work should be completed a professional tradesman.