

AMETHYST IGNEOUS GRANITE INSET SINK

AME1052AS/

RANGEmaster
sinks & taps



Size: 1000 x 500 mm

Featuring large bowls with a soft edged profile and modern classic lines, the Amethyst kitchen sink collection looks equally at home in a contemporary or traditional styled kitchen.

- Igneous granite
- Reversible drainer
- Waste kit included
- 25 year warranty

Material	Igneous Granite
Material Gauge	-
Material Finish Bowl	-
Material Finish Drainer	-
Drainer Position	Reversible
Overall Length (mm)	1000
Overall Width (mm)	500
Main Bowl Length (mm)	341
Main Bowl Width (mm)	422
Main Bowl Depth (mm)	204
Second Bowl Length (mm)	161
Second Bowl Width (mm)	301
Second Bowl Depth (mm)	148
Tap hole Size (mm)	-
Waste Size (mm)	2 x 90
Waste Kit	Included with sink (2 x 90mm BSW & overflow kit)
Min. Base Unit (mm)	600
Cutout Size Length (mm)	980
Cutout Size Width (mm)	480
Warranty Sinks (years)	20
Product Code	AME1052AS/
Barcode	5015834047089

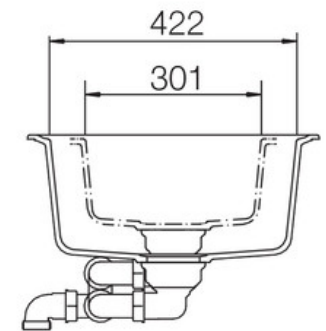
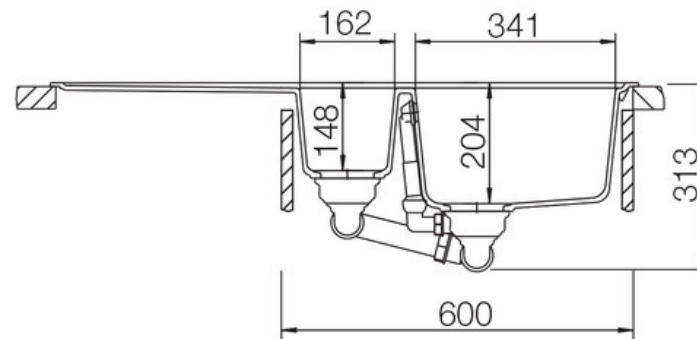
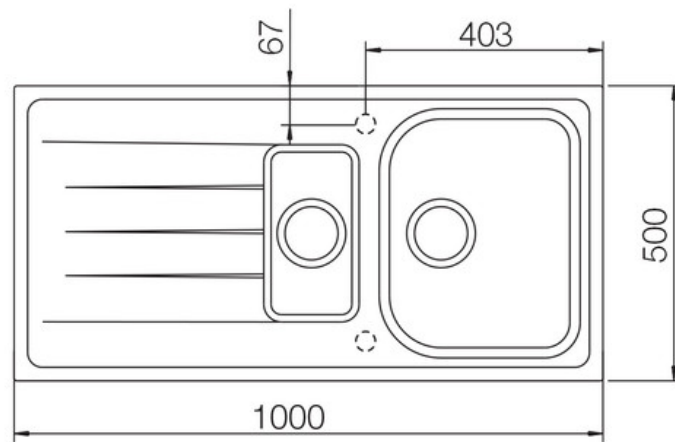
Date of download: July 17, 2023

AGA Rangemaster continuously seeks improvements in specification, design and production of products and thus, alterations take place periodically. Whilst every effort is made to produce up-to date resources, the information included here is intended as a guide. Always refer to the product's installation instructions when fitting, installation work should be completed a professional tradesman.

AMETHYST IGNEOUS GRANITE INSET SINK

AME1052AS/

Technical Drawing



Date of download: July 17, 2023

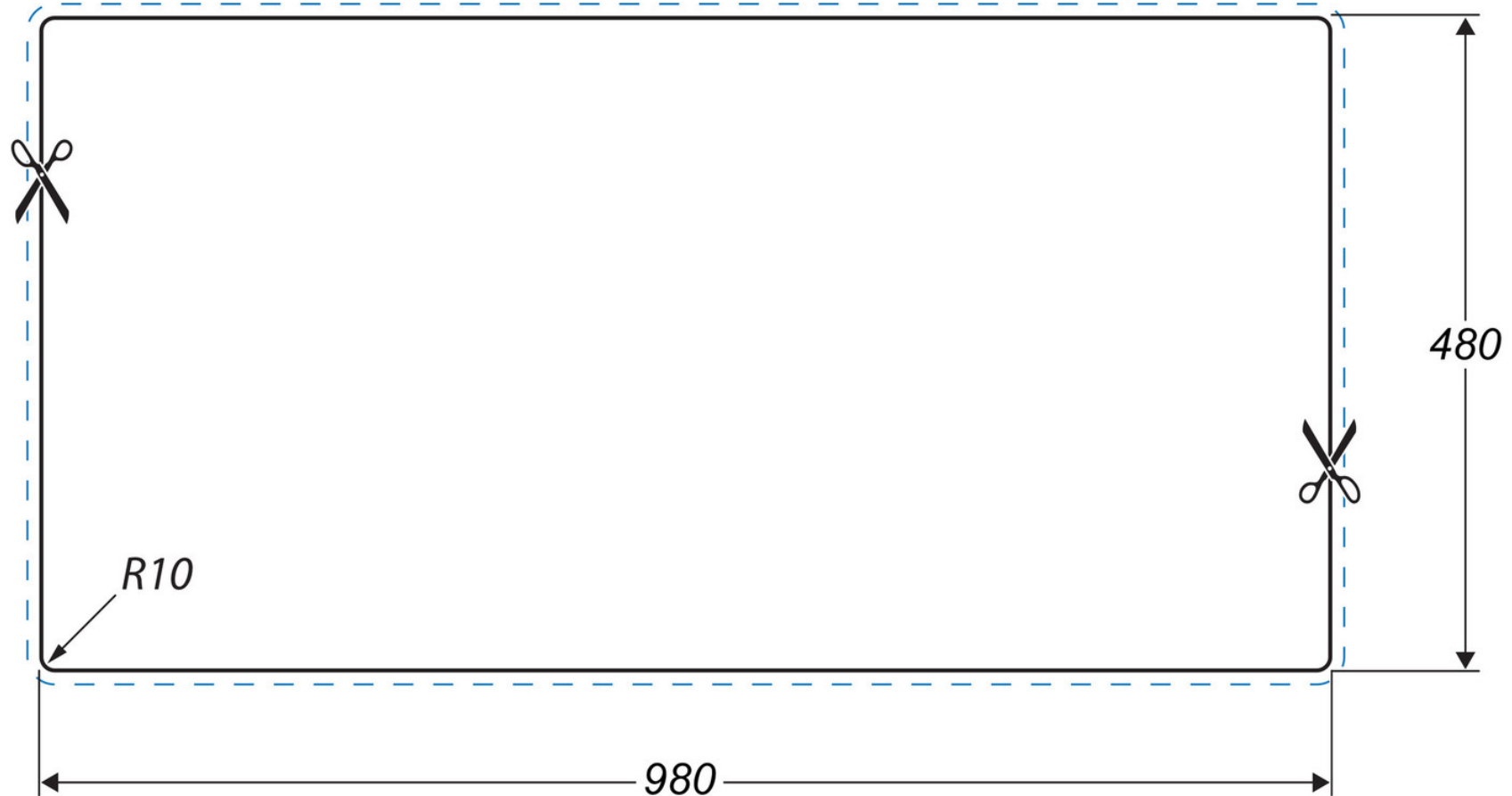
AGA Rangemaster continuously seeks improvements in specification, design and production of products and thus, alterations take place periodically. Whilst every effort is made to produce up-to date resources, the information included here is intended as a guide. Always refer to the product's installation instructions when fitting, installation work should be completed a professional tradesman.

AMETHYST IGNEOUS GRANITE INSET SINK

AME1052AS/

Cut Out Template

Dimensions in mm. Not to scale.



Date of download: July 17, 2023

AGA Rangemaster continuously seeks improvements in specification, design and production of products and thus, alterations take place periodically. Whilst every effort is made to produce up-to date resources, the information included here is intended as a guide. Always refer to the product's installation instructions when fitting, installation work should be completed a professional tradesman.