

## ANDESITE IGNEOUS GRANITE INSET SINK AND1052SN/

RANGEmaster  
sinks & taps



### Size: 1000 x 500 mm

Encompassing a simple yet sleek drainer pattern design and featuring large geometric bowls with low radius corners, the Andesite kitchen sink offers a stunning design for a trend conscious home.

- Igneous granite
- Reversible drainer
- Waste kit included
- 25 year warranty

|                         |  |
|-------------------------|--|
| Material                | Igneous Granite                                  |
| Material Gauge          | -  |
| Material Finish Bowl    | -  |
| Material Finish Drainer | -  |
| Drainer Position        | Reversible                                       |
| Overall Length (mm)     | 1000   |
| Overall Width (mm)      | 500  |
| Main Bowl Length (mm)   | 345  |
| Main Bowl Width (mm)    | 430  |
| Main Bowl Depth (mm)    | 200  |
| Second Bowl Length (mm) | 155  |
| Second Bowl Width (mm)  | 340  |
| Second Bowl Depth (mm)  | 146  |
| Tap hole Size (mm)      | -  |
| Waste Size (mm)         | 2 x 90   |
| Waste Kit               | Included with sink (2 x 90mm BSW & overflow kit) |
| Min. Base Unit (mm)     | 600  |
| Cutout Size Length (mm) | 980  |
| Cutout Size Width (mm)  | 480  |
| Warranty Sinks (years)  | 0  |
| Product Code            | AND1052SN/                                       |
| Barcode                 | 5015834049151                                    |

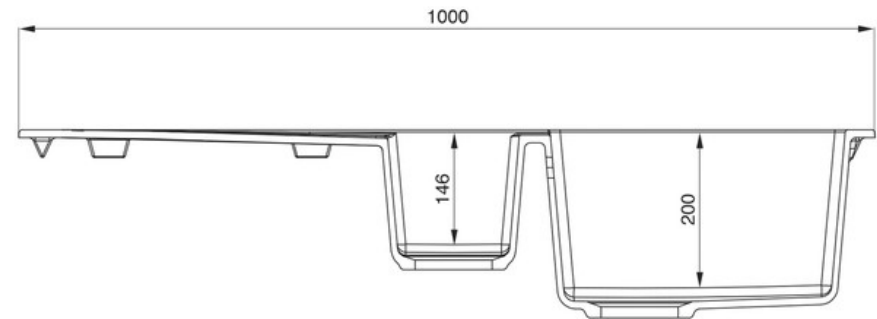
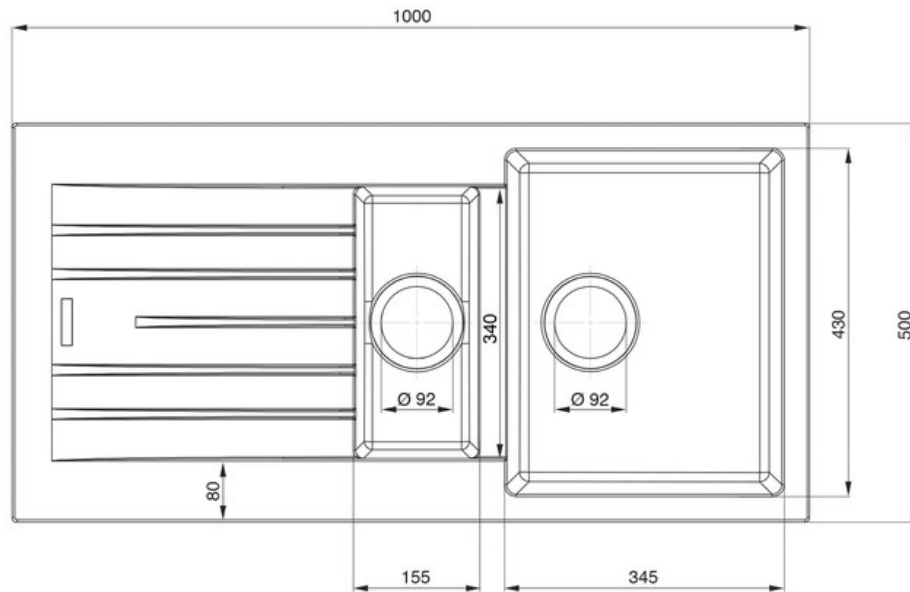
Date of download: July 17, 2023

AGA Rangemaster continuously seeks improvements in specification, design and production of products and thus, alterations take place periodically. Whilst every effort is made to produce up-to date resources, the information included here is intended as a guide. Always refer to the product's installation instructions when fitting, installation work should be completed a professional tradesman.

# ANDESITE IGNEOUS GRANITE INSET SINK

AND1052SN/

## Technical Drawing



Date of download: July 17, 2023

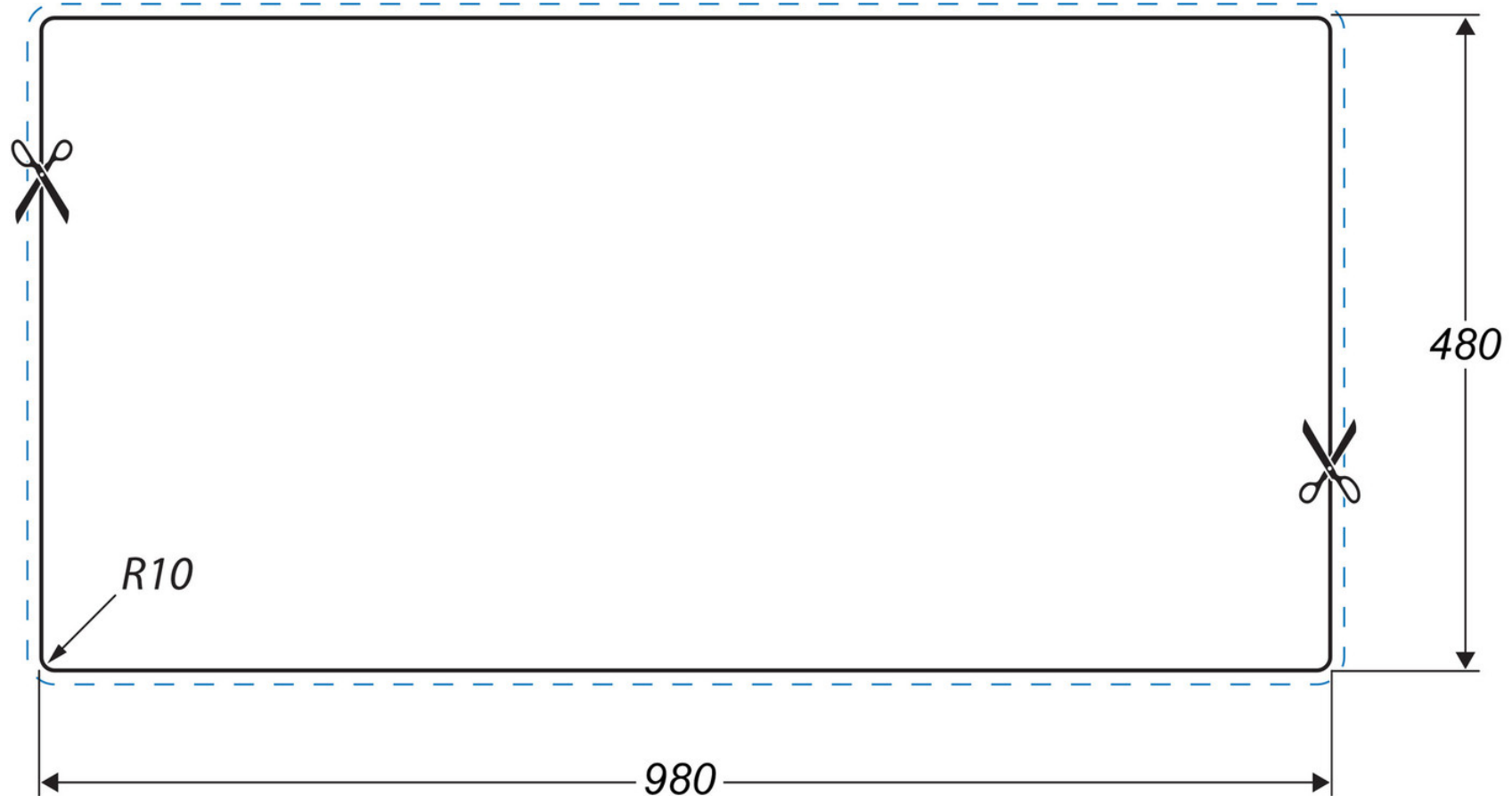
AGA Rangemaster continuously seeks improvements in specification, design and production of products and thus, alterations take place periodically. Whilst every effort is made to produce up-to date resources, the information included here is intended as a guide. Always refer to the product's installation instructions when fitting, installation work should be completed a professional tradesman.

# ANDESITE IGNEOUS GRANITE INSET SINK

AND1052SN/

## Cut Out Template

Dimensions in mm. Not to scale.



Date of download: July 17, 2023

AGA Rangemaster continuously seeks improvements in specification, design and production of products and thus, alterations take place periodically. Whilst every effort is made to produce up-to date resources, the information included here is intended as a guide. Always refer to the product's installation instructions when fitting, installation work should be completed a professional tradesman.