

# HARTLAND FIRE CLAY CERAMIC SINK

CHA622WH/



## Size: 629 x 494 mm

Thanks to its inset installation method, you can achieve a Belfast look sink with any worktop material type with Hartland. Its deep apron front profile adds a design statement in any contemporary or traditional style of kitchen.

Hartland is available with a single bowl offering an overall measurement of 629mm wide, which fits 600mm cabinet sizes comfortably.

- Contemporary Belfast sink with apron front
- Manufactured from fire-clay ceramic
- Waste and plumbing kit included

**RANGEmaster**  
sinks & taps

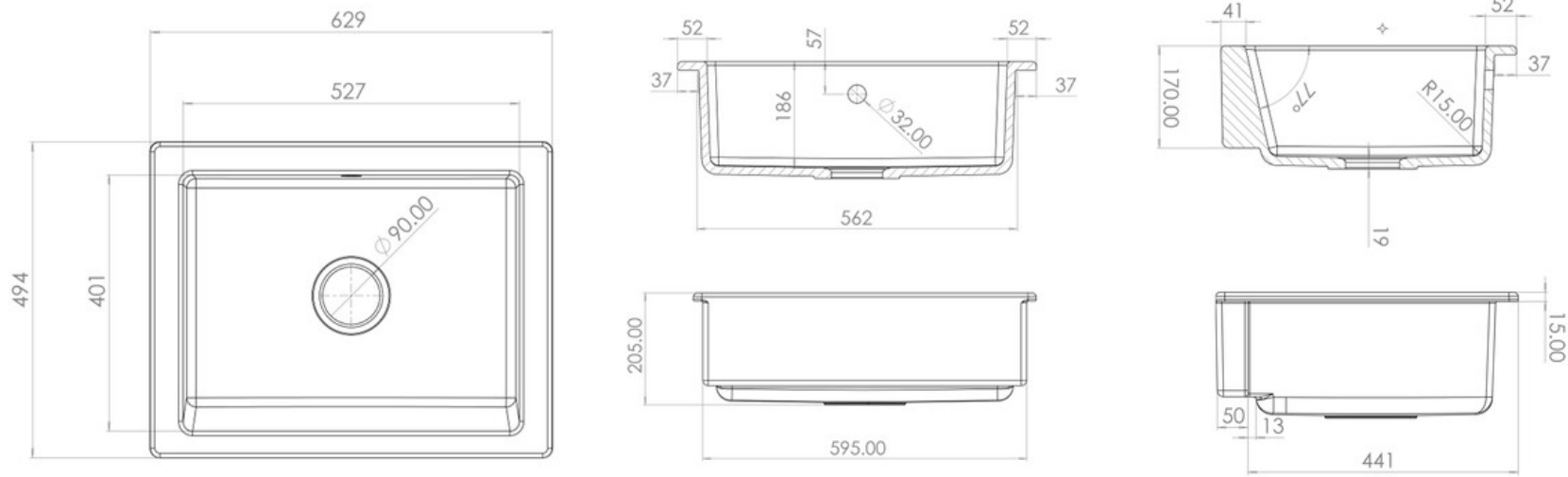
Material	Fire clay Ceramic
Material Gauge	
Material Finish Bowl	White
Material Finish Drainer	White
Drainer Position	
Overall Length (mm)	629
Overall Width (mm)	494
Main Bowl Length (mm)	527
Main Bowl Width (mm)	401
Main Bowl Depth (mm)	186
Second Bowl Length (mm)	-
Second Bowl Width (mm)	-
Second Bowl Depth (mm)	-
Tap hole Size (mm)	1 x 35
Waste Size (mm)	1 x 90
Waste Kit	Included with sink (1 x 90mm BSW & overflow kit)
Min. Base Unit (mm)	600
Cutout Size Length (mm)	594
Cutout Size Width (mm)	460
Warranty Sinks (years)	0
Product Code	CHA622WH/
Barcode	5015834052779

Date of download: July 18, 2023

# HARTLAND FIRE CLAY CERAMIC SINK

CHA622WH/

## Technical Drawing



NB. Due to manufacturing processes this sink may have a +/- 5mm tolerance on the measurements.

Date of download: July 18, 2023

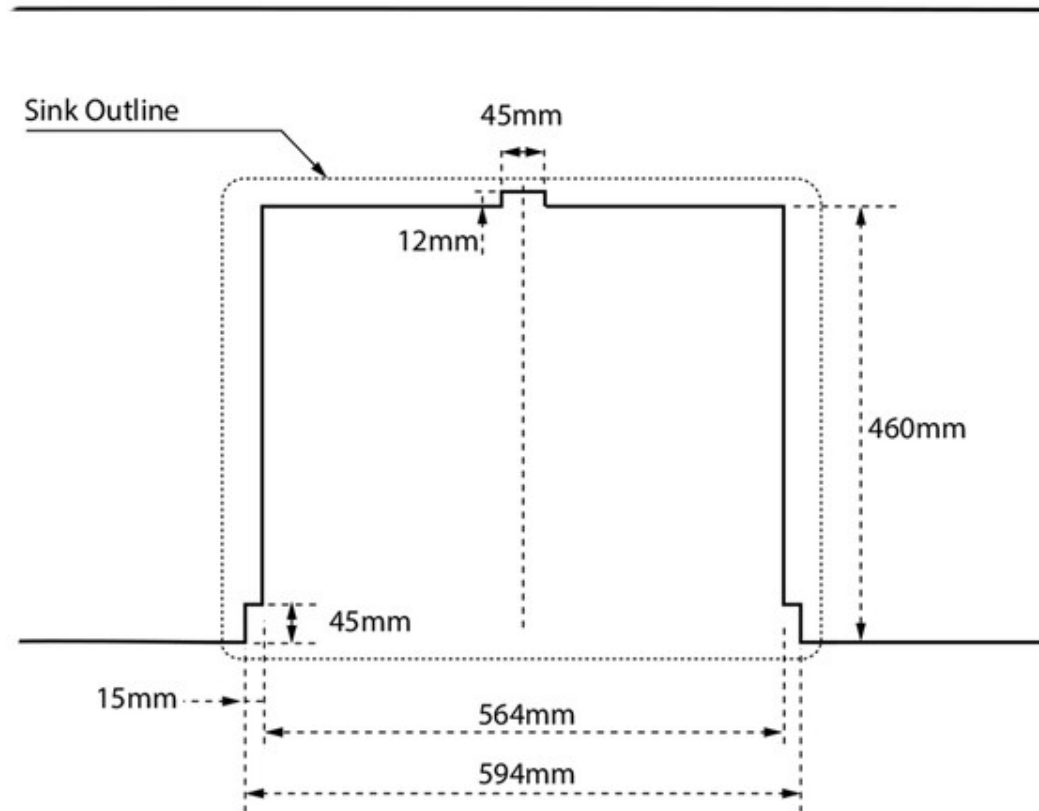
AGA Rangemaster continuously seeks improvements in specification, design and production of products and thus, alterations take place periodically. Whilst every effort is made to produce up-to date resources, the information included here is intended as a guide. Always refer to the product's installation instructions when fitting, installation work should be completed a professional tradesman.

# HARTLAND FIRE CLAY CERAMIC SINK

CHA622WH/

## Cut Out Template

Dimensions in mm. Not to scale.



Date of download: July 18, 2023

AGA Rangemaster continuously seeks improvements in specification, design and production of products and thus, alterations take place periodically. Whilst every effort is made to produce up-to date resources, the information included here is intended as a guide. Always refer to the product's installation instructions when fitting, installation work should be completed a professional tradesman.