

TENBY FIRE CLAY CERAMIC SINK

CTE10102WH/



Size: 995 x 497 mm

Classically designed, the Tenby collection is available in single and 1.5 bowl options. The compact 850 x 500mm variant fits smaller 500mm cabinet sizes - ideal for smaller kitchen spaces.

Tenby is fully reversible, choose to install the drainer on the left-hand side or right-hand side at point of installation.

- Classic design with soft curved bowls
- Waste and plumbing kit included
- Reversible drainer

RANGEmaster
sinks & taps

Material	Fire clay Ceramic
Material Gauge	
Material Finish Bowl	White
Material Finish Drainer	White
Drainer Position	
Overall Length (mm)	995
Overall Width (mm)	497
Main Bowl Length (mm)	330
Main Bowl Width (mm)	370
Main Bowl Depth (mm)	215
Second Bowl Length (mm)	135
Second Bowl Width (mm)	253
Second Bowl Depth (mm)	128
Tap hole Size (mm)	
Waste Size (mm)	1 x 90, 1 x 60
Waste Kit	Included with sink (1 x 90mm & 1 x 60mm BSW + plumbing kit)
Min. Base Unit (mm)	600
Cutout Size Length (mm)	950
Cutout Size Width (mm)	460
Warranty Sinks (years)	10
Product Code	CTE10102WH/
Barcode	5015834052212

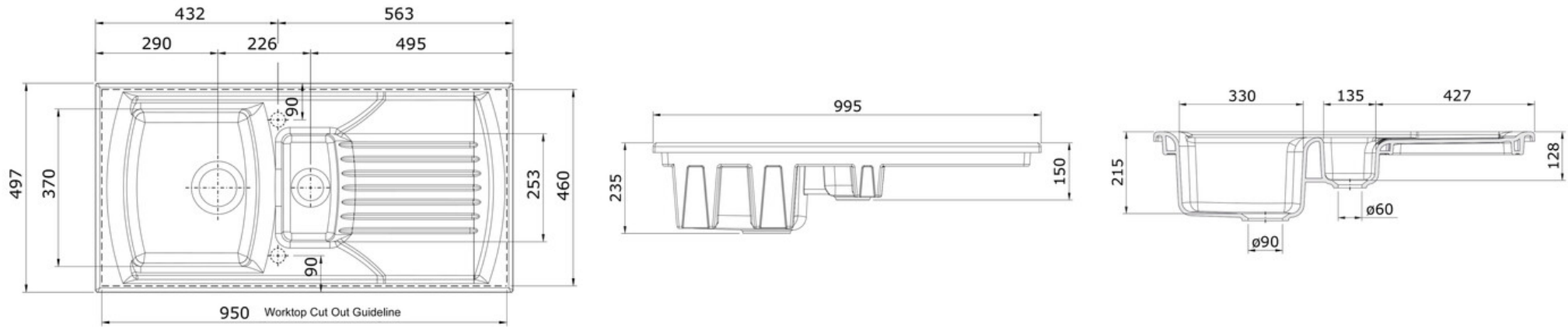
Date of download: July 19, 2023

AGA Rangemaster continuously seeks improvements in specification, design and production of products and thus, alterations take place periodically. Whilst every effort is made to produce up-to date resources, the information included here is intended as a guide. Always refer to the product's installation instructions when fitting, installation work should be completed a professional tradesman.

TENBY FIRE CLAY CERAMIC SINK

CTE10102WH/

Technical Drawing



NB: Due to manufacturing processes this sink may have a +/- 3mm tolerance on the measurements.

Date of download: July 19, 2023

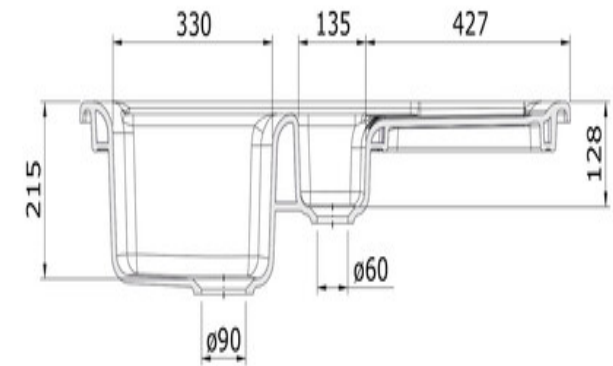
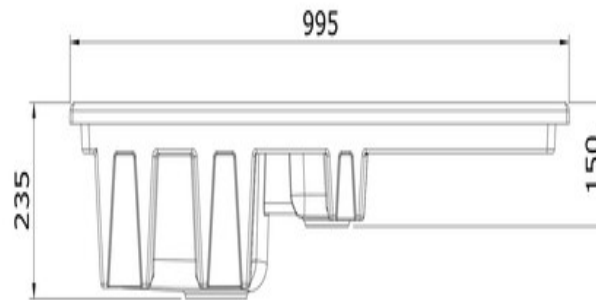
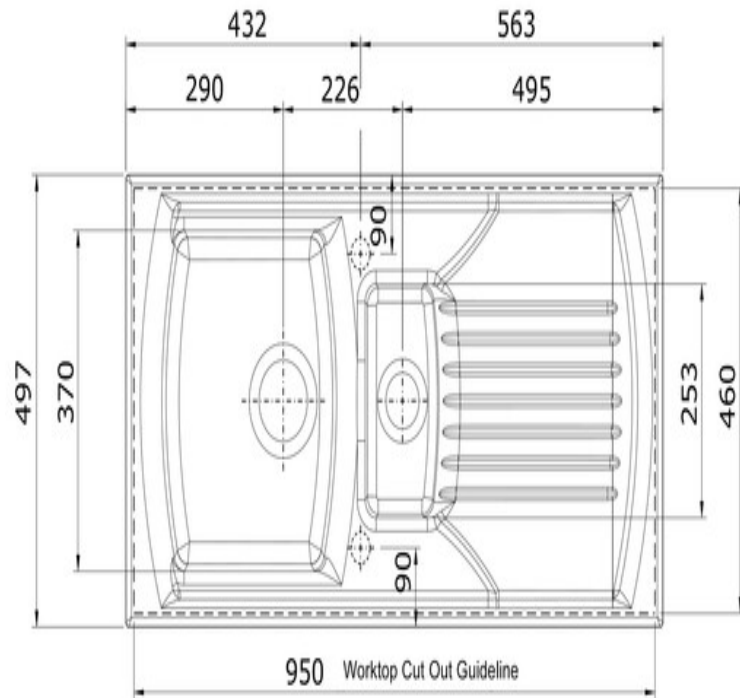
AGA Rangemaster continuously seeks improvements in specification, design and production of products and thus, alterations take place periodically. Whilst every effort is made to produce up-to date resources, the information included here is intended as a guide. Always refer to the product's installation instructions when fitting, installation work should be completed a professional tradesman.

TENBY FIRE CLAY CERAMIC SINK

CTE10102WH/

Cut Out Template

Dimensions in mm. Not to scale.



NB: Due to manufacturing processes this sink may have a +/- 3mm tolerance on the measurements.

Date of download: July 19, 2023

AGA Rangemaster continuously seeks improvements in specification, design and production of products and thus, alterations take place periodically. Whilst every effort is made to produce up-to date resources, the information included here is intended as a guide. Always refer to the product's installation instructions when fitting, installation work should be completed a professional tradesman.