

# ELEMENTS IGNEOUS GRANITE INSET SINK

ELE1052AS/

**RANGEmaster**  
sinks & taps



## Size: 1000 x 500 mm

Elements combines style with functionality; its recessed drainer ensures water spillage is kept to a minimum, while its large square look bowls add contemporary design to your kitchen style.

- Igneous granite
- Reversible drainer
- Waste kit included
- 25 year warranty

Please note a waste adaptor (code 629139) is required when installing this sink with a waste disposal unit.

Material	Igneous Granite
Material Gauge	-
Material Finish Bowl	-
Material Finish Drainer	-
Drainer Position	Reversible
Overall Length (mm)	1000
Overall Width (mm)	500
Main Bowl Length (mm)	380
Main Bowl Width (mm)	420
Main Bowl Depth (mm)	180
Second Bowl Length (mm)	125
Second Bowl Width (mm)	282
Second Bowl Depth (mm)	120
Tap hole Size (mm)	-
Waste Size (mm)	1 x 90, 1 x 60
Waste Kit	Included with sink (1 x 90mm & 1 x 60mm BSW and overflow kit)
Min. Base Unit (mm)	600
Cutout Size Length (mm)	980
Cutout Size Width (mm)	480
Warranty Sinks (years)	25
Product Code	ELE1052AS/
Barcode	5015834051208

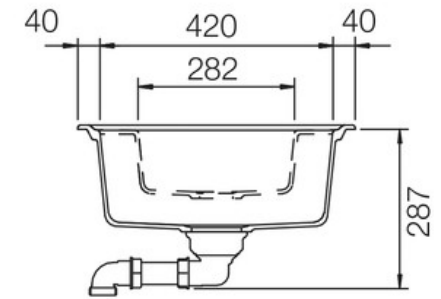
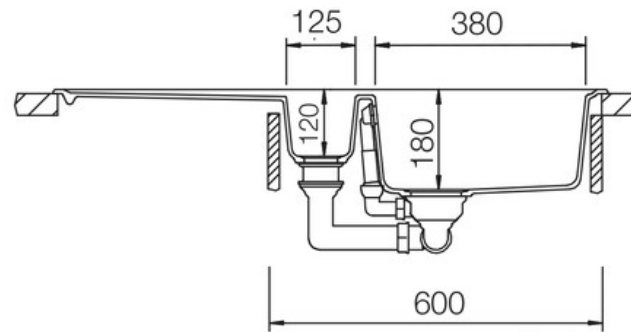
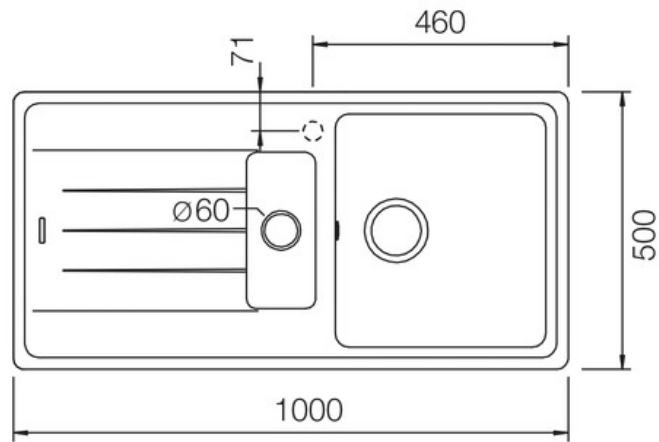
Date of download: July 19, 2023

AGA Rangemaster continuously seeks improvements in specification, design and production of products and thus, alterations take place periodically. Whilst every effort is made to produce up-to date resources, the information included here is intended as a guide. Always refer to the product's installation instructions when fitting, installation work should be completed a professional tradesman.

# ELEMENTS IGNEOUS GRANITE INSET SINK

ELE1052AS/

## Technical Drawing



Date of download: July 19, 2023

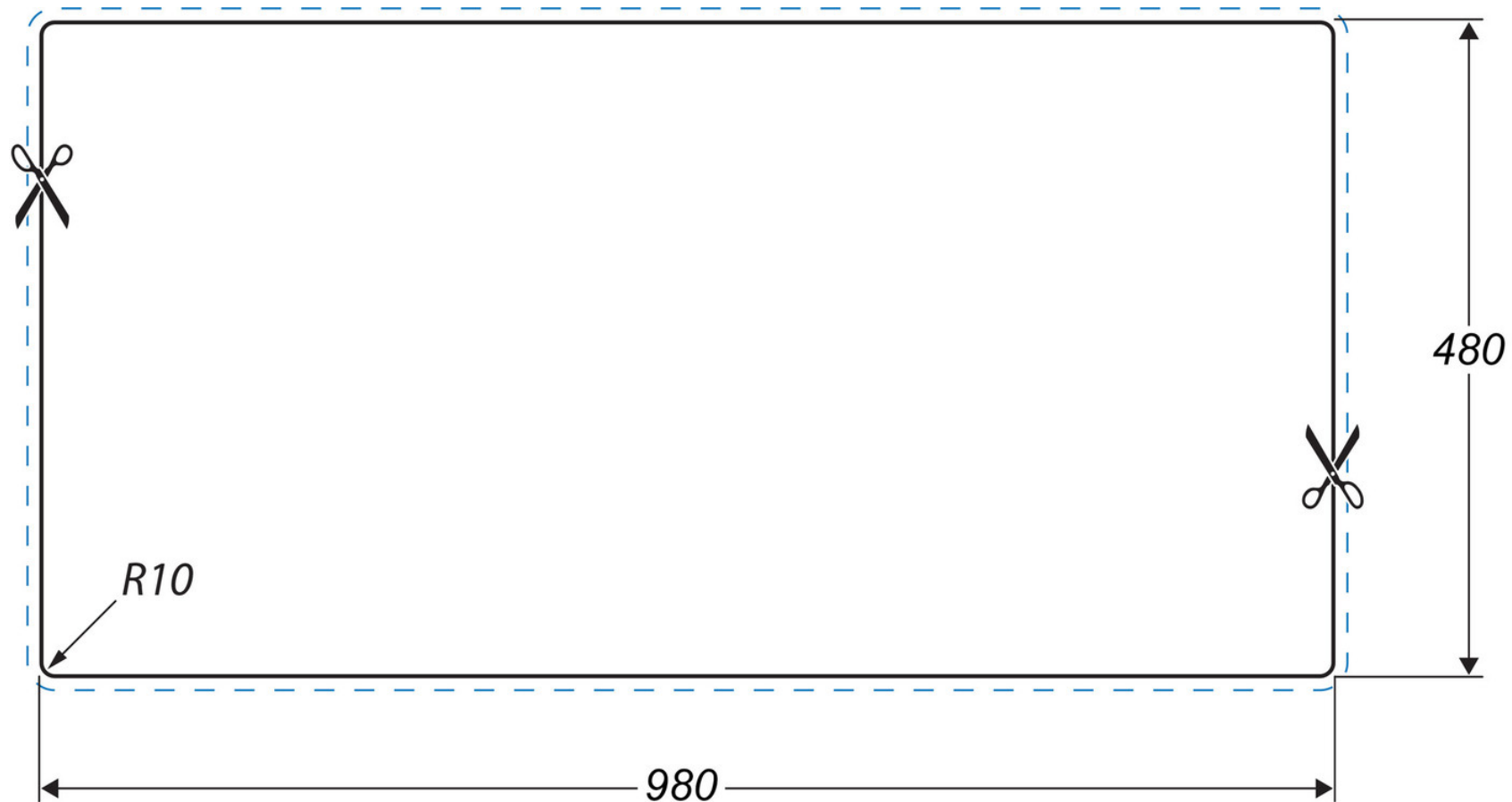
AGA Rangemaster continuously seeks improvements in specification, design and production of products and thus, alterations take place periodically. Whilst every effort is made to produce up-to date resources, the information included here is intended as a guide. Always refer to the product's installation instructions when fitting, installation work should be completed a professional tradesman.

# ELEMENTS IGNEOUS GRANITE INSET SINK

ELE1052AS/

## Cut Out Template

Dimensions in mm. Not to scale.



Date of download: July 19, 2023

AGA Rangemaster continuously seeks improvements in specification, design and production of products and thus, alterations take place periodically. Whilst every effort is made to produce up-to date resources, the information included here is intended as a guide. Always refer to the product's installation instructions when fitting, installation work should be completed a professional tradesman.