

ATLANTIC CLASSIC 18/10 STAINLESS STEEL UNDERMOUNT SINK

UB15/

RANGEmaster
sinks & taps



Size: 185 x 370 mm

The Classic undermount kitchen sink collection features an elegant curvature to the bowl design, creating a discreet sink solution suited to any kitchen scheme.

- 65mm radius corners
- Micro-sheen™ soft brushed finish
- Manufactured from 18/10 stainless steel
- Waste kit included
- 25 year warranty

| | |
|-------------------------|--------------------------------------------------|
| Material | 18/10 Stainless Steel |
| Material Gauge | 0.8 |
| Material Finish Bowl | Micro-Sheen™ Soft Brushed Finish |
| Material Finish Drainer | - |
| Drainer Position | |
| Overall Length (mm) | 185 |
| Overall Width (mm) | 370 |
| Main Bowl Length (mm) | 156 |
| Main Bowl Width (mm) | 342 |
| Main Bowl Depth (mm) | 120 |
| Second Bowl Length (mm) | - |
| Second Bowl Width (mm) | - |
| Second Bowl Depth (mm) | - |
| Tap hole Size (mm) | - |
| Waste Size (mm) | 1 x 89 |
| Waste Kit | Included with sink (1 x 89mm BSW & overflow kit) |
| Min. Base Unit (mm) | 300 |
| Cutout Size Length (mm) | 154 |
| Cutout Size Width (mm) | 340 |
| Warranty Sinks (years) | 25 |
| Product Code | UB15/ |
| Barcode | 5015834045986 |

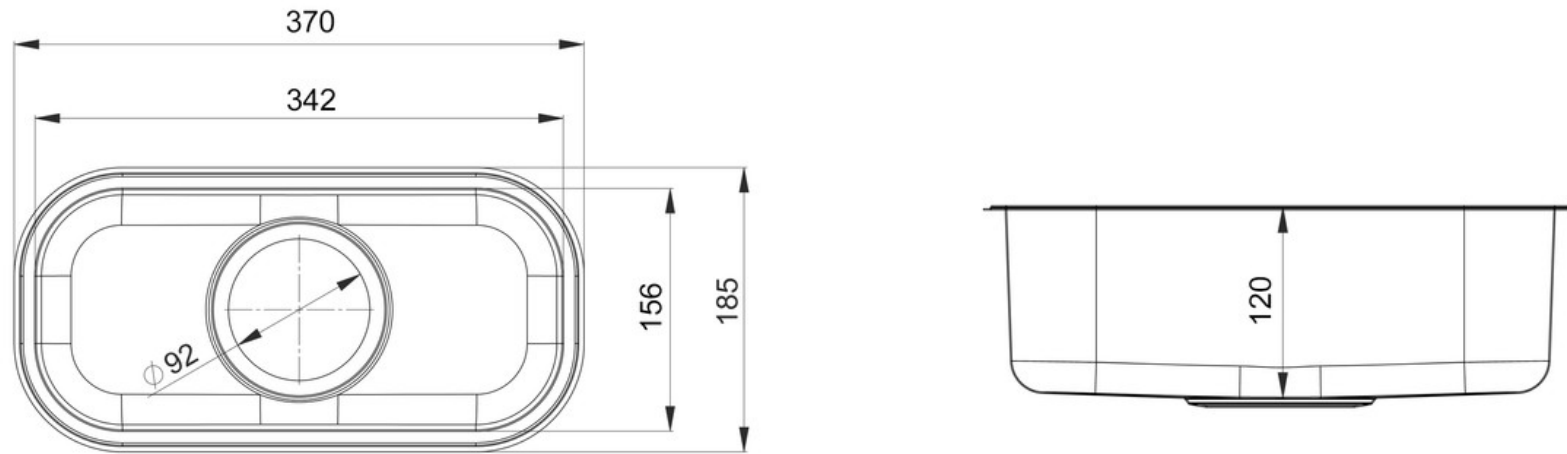
Date of download: July 19, 2023

AGA Rangemaster continuously seeks improvements in specification, design and production of products and thus, alterations take place periodically. Whilst every effort is made to produce up-to date resources, the information included here is intended as a guide. Always refer to the product's installation instructions when fitting, installation work should be completed a professional tradesman.

ATLANTIC CLASSIC 18/10 STAINLESS STEEL UNDERMOUNT SINK

UB15/

Technical Drawing



Date of download: July 19, 2023

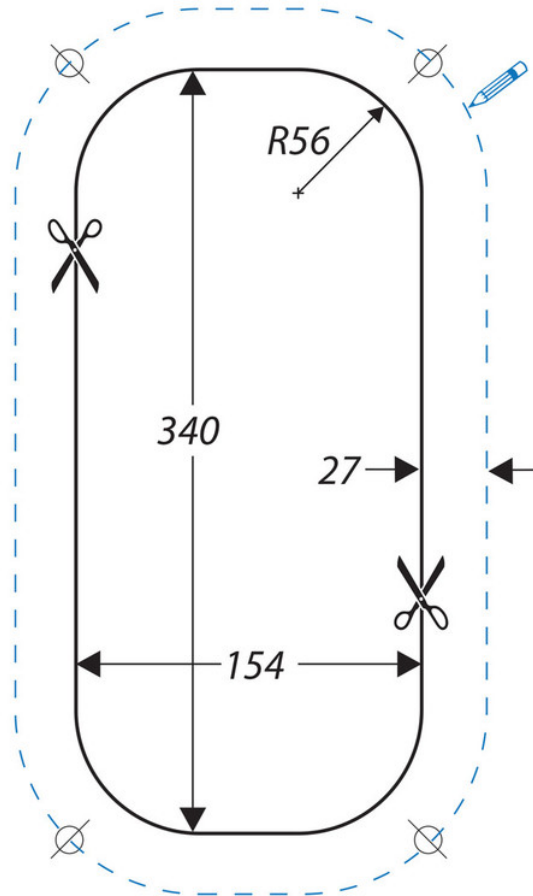
AGA Rangemaster continuously seeks improvements in specification, design and production of products and thus, alterations take place periodically. Whilst every effort is made to produce up-to date resources, the information included here is intended as a guide. Always refer to the product's installation instructions when fitting, installation work should be completed a professional tradesman.

ATLANTIC CLASSIC 18/10 STAINLESS STEEL UNDERMOUNT SINK

UB15/

Cut Out Template

Dimensions in mm. Not to scale.



Date of download: July 19, 2023

AGA Rangemaster continuously seeks improvements in specification, design and production of products and thus, alterations take place periodically. Whilst every effort is made to produce up-to-date resources, the information included here is intended as a guide. Always refer to the product's installation instructions when fitting, installation work should be completed a professional tradesman.