

ATLANTIC CLASSIC 18/10 STAINLESS STEEL UNDERMOUNT SINK

UB35/

RANGEmaster
sinks & taps



Size: 378 x 448 mm

The Classic undermount kitchen sink collection features an elegant curvature to the bowl design, creating a discreet sink solution suited to any kitchen scheme.

- 65mm radius corners
- Micro-sheen™ soft brushed finish
- Manufactured from 18/10 stainless steel
- Waste kit included
- 25 year warranty

Material	18/10 Stainless Steel
Material Gauge	0.8
Material Finish Bowl	Micro-Sheen™ Soft Brushed Finish
Material Finish Drainer	-
Drainer Position	
Overall Length (mm)	378
Overall Width (mm)	448
Main Bowl Length (mm)	350
Main Bowl Width (mm)	420
Main Bowl Depth (mm)	190
Second Bowl Length (mm)	-
Second Bowl Width (mm)	-
Second Bowl Depth (mm)	-
Tap hole Size (mm)	-
Waste Size (mm)	1 x 89
Waste Kit	Included with sink (1 x 89mm BSW & overflow kit)
Min. Base Unit (mm)	400
Cutout Size Length (mm)	340
Cutout Size Width (mm)	410
Warranty Sinks (years)	25
Product Code	UB35/
Barcode	5015834045993

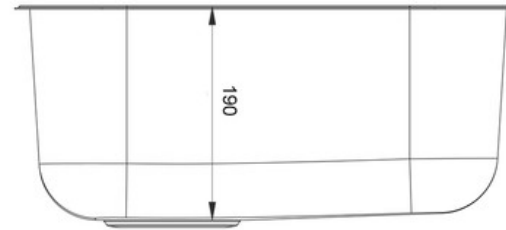
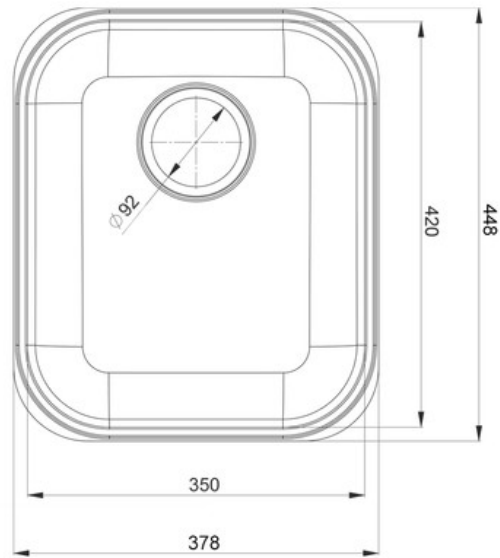
Date of download: July 19, 2023

AGA Rangemaster continuously seeks improvements in specification, design and production of products and thus, alterations take place periodically. Whilst every effort is made to produce up-to date resources, the information included here is intended as a guide. Always refer to the product's installation instructions when fitting, installation work should be completed a professional tradesman.

ATLANTIC CLASSIC 18/10 STAINLESS STEEL UNDERMOUNT SINK

UB35/

Technical Drawing



Date of download: July 19, 2023

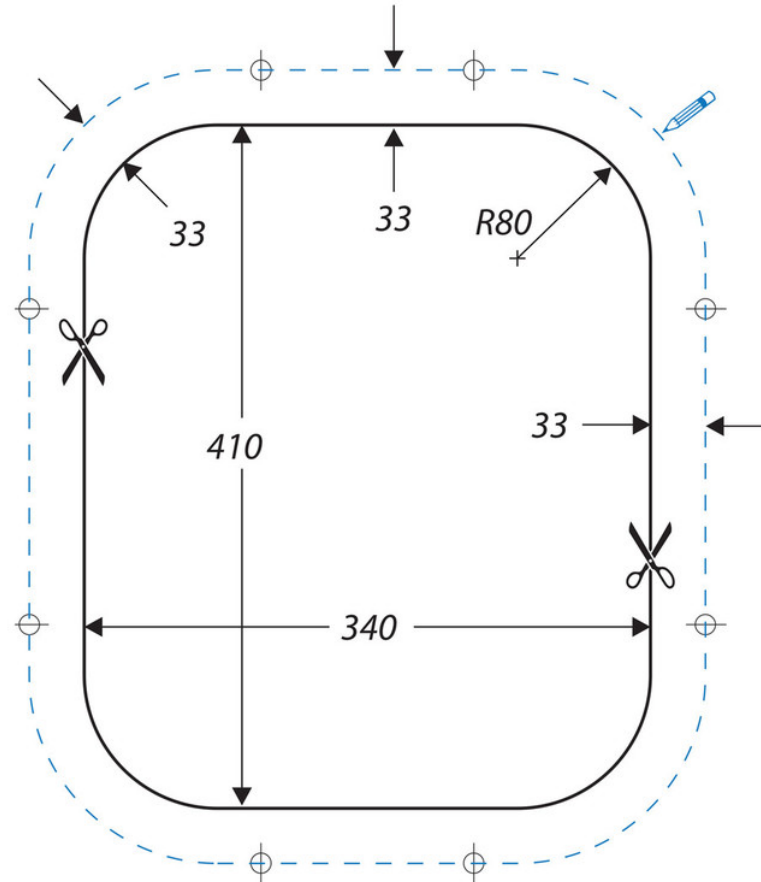
AGA Rangemaster continuously seeks improvements in specification, design and production of products and thus, alterations take place periodically. Whilst every effort is made to produce up-to date resources, the information included here is intended as a guide. Always refer to the product's installation instructions when fitting, installation work should be completed a professional tradesman.

ATLANTIC CLASSIC 18/10 STAINLESS STEEL UNDERMOUNT SINK

UB35/

Cut Out Template

Dimensions in mm. Not to scale.



Date of download: July 19, 2023

AGA Rangemaster continuously seeks improvements in specification, design and production of products and thus, alterations take place periodically. Whilst every effort is made to produce up-to date resources, the information included here is intended as a guide. Always refer to the product's installation instructions when fitting, installation work should be completed a professional tradesman.