

MAYON IGNEOUS GRANITE INSET SINK

MAY1052CW/

RANGEmaster
sinks & taps



Size: 1000 x 510 mm

Featuring sharp geometric bowls and a smooth drainer design, the Mayon range also features a sleek chrome branded overflow cover adding a premium finish to the overall sink design. The Mayon range is composed of 3 options; single bowl in standard and ultra compact sizes and a 1.5 bowl option.

- Igneous granite
- Reversible drainer
- Waste kit included
- 25 year warranty

Material	Igneous Granite
Material Gauge	-
Material Finish Bowl	-
Material Finish Drainer	-
Drainer Position	Reversible
Overall Length (mm)	1000
Overall Width (mm)	510
Main Bowl Length (mm)	334
Main Bowl Width (mm)	446
Main Bowl Depth (mm)	195
Second Bowl Length (mm)	167
Second Bowl Width (mm)	296
Second Bowl Depth (mm)	120
Tap hole Size (mm)	-
Waste Size (mm)	2 x 89
Waste Kit	Included with sink (2 x 89mm BSW & overflow kit)
Min. Base Unit (mm)	600
Cutout Size Length (mm)	980
Cutout Size Width (mm)	490
Warranty Sinks (years)	25
Product Code	MAY1052CW/
Barcode	5015834050607

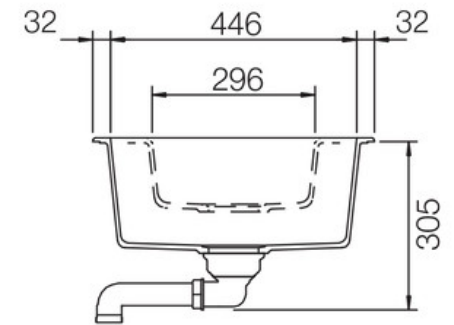
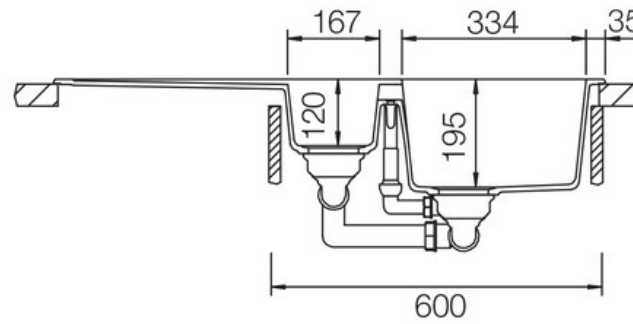
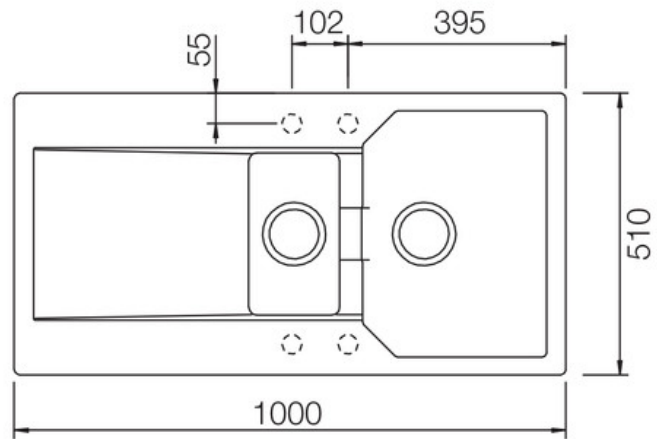
Date of download: July 19, 2023

AGA Rangemaster continuously seeks improvements in specification, design and production of products and thus, alterations take place periodically. Whilst every effort is made to produce up-to date resources, the information included here is intended as a guide. Always refer to the product's installation instructions when fitting, installation work should be completed a professional tradesman.

MAYON IGNEOUS GRANITE INSET SINK

MAY1052CW/

Technical Drawing



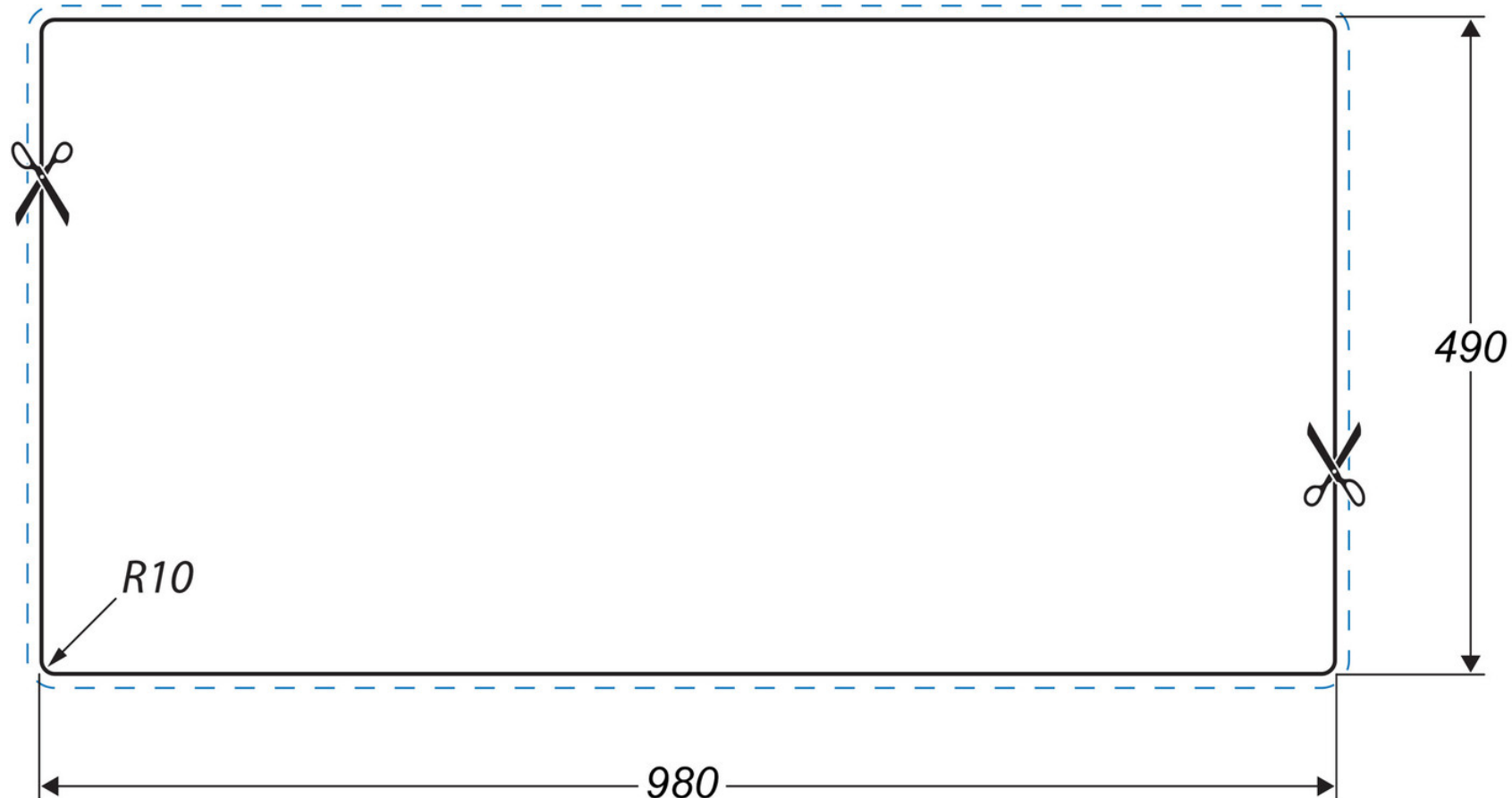
AGA Rangemaster continuously seeks improvements in specification, design and production of products and thus, alterations take place periodically. Whilst every effort is made to produce up-to date resources, the information included here is intended as a guide. Always refer to the product's installation instructions when fitting, installation work should be completed a professional tradesman.

MAYON IGNEOUS GRANITE INSET SINK

MAY1052CW/

Cut Out Template

Dimensions in mm. Not to scale.



AGA Rangemaster continuously seeks improvements in specification, design and production of products and thus, alterations take place periodically. Whilst every effort is made to produce up-to date resources, the information included here is intended as a guide. Always refer to the product's installation instructions when fitting, installation work should be completed a professional tradesman.