

ELLIPSE SINGLE LEVER TAP CHROME

TEP1CM/



Unique in design, the Ellipse single lever kitchen tap offers effortless handle control. Featuring an anti-splash spout and ceramic disc cartridge which mixes hot and cold water supplies for an optimum water flow output whilst always ensuring a water-tight seal is retained when the tap is not in use.

- Suitable for medium pressure water systems emitting a minimum pressure of 0.5 bar or above
- Featuring an anti-splash spout with honeycomb aerator design which mixes air with water to emit a water flow with no splash

RANGEmaster
sinks & taps

Overall Height (mm)	277
Spout Reach (mm)	185
Spout Height (mm)	210
Spout Rotation Range	360°
Handle Type	Single Lever
Colour	Chrome
Bar Pressure Suitability	Medium Pressure
Min. Bar Pressure	0.60
Max. Bar Pressure	5.50
Mixed Flow Rate at 3 Bar Pressure (l/min)	11.30
Flow Type	Single Flow
Recommended Hot Water Temperature	46°C
Maximum Hot Water Temperature	70°C
Handle Control	Half Turn
Centre Distance (mm)	-
Cartridge Type	Ceramic Disc Cartridge
Aerator Type	Honeycomb Aerator
Inlet Pipes	1/2" Stainless Flexible Hoses
Anti-Splash Spout	Yes
Pull Out Spray	No
WRAS Approved	Yes
Product Code	TEP1CM/
Barcode	5015834037851

Date of download: July 20, 2023

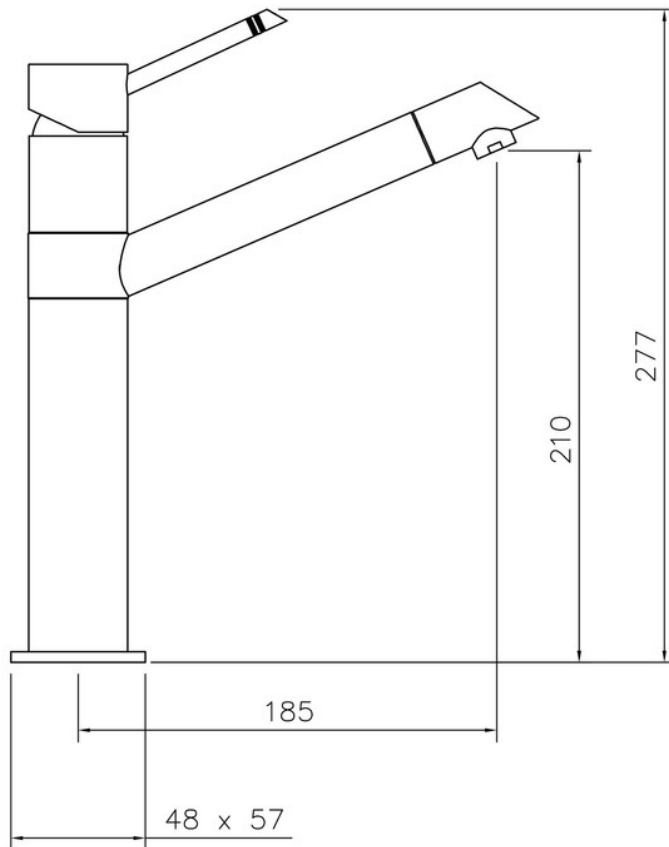
AGA Rangemaster continuously seeks improvements in specification, design and production of products and thus, alterations take place periodically. Whilst every effort is made to produce up to date resources, the information included here is intended as a guide. Always refer to the installation instructions when fitting, installation work should be completed by a professional tradesman.

ELLIPSE SINGLE LEVER TAP CHROME

TEP1CM/

RANGEmaster
sinks & taps

Technical Drawing



Date of download: July 20, 2023

AGA Rangemaster continuously seeks improvements in specification, design and production of products and thus, alterations take place periodically. Whilst every effort is made to produce up to date resources, the information included here is intended as a guide. Always refer to the installation instructions when fitting, installation work should be completed by a professional tradesman.