

ARIA 18/10 STAINLESS STEEL INSET SINK

ARA9501/



Size: 950 x 508 mm

The new Aria collection features a minimalist drainer design which features a single flute in its styling.

- Modern, minimalist drainer design
- Single pressed piece sink
- Satin bowl with a bright drainer finish
- Reversible drainer

Waste kit sold separately, please order WAST09/

Material	18/10 Stainless Steel
Material Gauge	0.7
Material Finish Bowl	Satin
Material Finish Drainer	Bright
Drainer Position	Reversible
Overall Length (mm)	950
Overall Width (mm)	508
Main Bowl Length (mm)	360
Main Bowl Width (mm)	424
Main Bowl Depth (mm)	150
Second Bowl Length (mm)	-
Second Bowl Width (mm)	-
Second Bowl Depth (mm)	-
Tap hole Size (mm)	1 x 35
Waste Size (mm)	1 x 89
Waste Kit	Sold separately, please order WAST09/
Min. Base Unit (mm)	500
Cutout Size Length (mm)	930
Cutout Size Width (mm)	488
Warranty Sinks (years)	10
Product Code	ARA9501/
Barcode	5015834052694

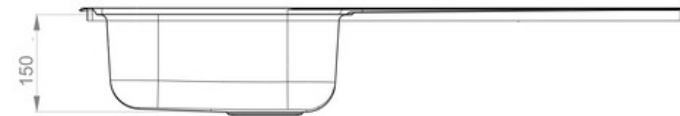
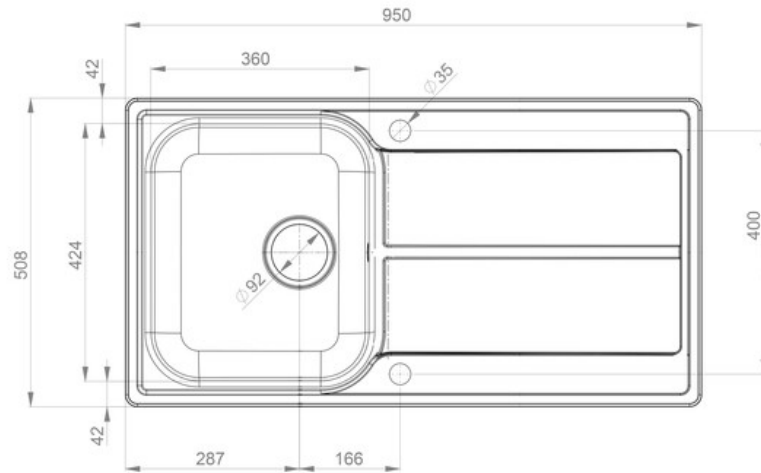
Date of download: July 22, 2023

AGA Rangemaster continuously seeks improvements in specification, design and production of products and thus, alterations take place periodically. Whilst every effort is made to produce up-to date resources, the information included here is intended as a guide. Always refer to the product's installation instructions when fitting, installation work should be completed a professional tradesman.

ARIA 18/10 STAINLESS STEEL INSET SINK

ARA9501/

Technical Drawing



Date of download: July 22, 2023

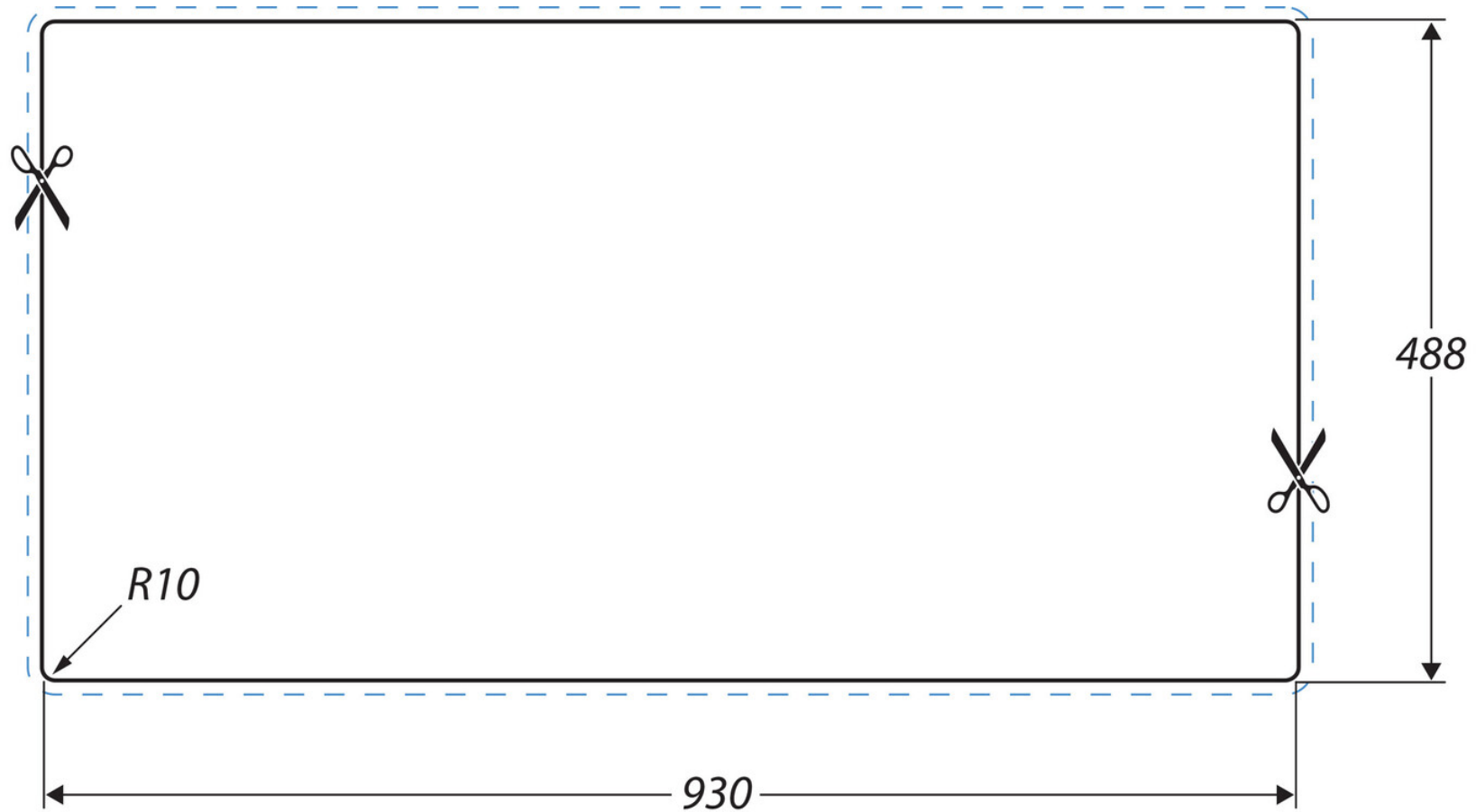
AGA Rangemaster continuously seeks improvements in specification, design and production of products and thus, alterations take place periodically. Whilst every effort is made to produce up-to date resources, the information included here is intended as a guide. Always refer to the product's installation instructions when fitting, installation work should be completed a professional tradesman.

ARIA 18/10 STAINLESS STEEL INSET SINK

ARA9501/

Cut Out Template

Dimensions in mm. Not to scale.



Date of download: July 22, 2023

AGA Rangemaster continuously seeks improvements in specification, design and production of products and thus, alterations take place periodically. Whilst every effort is made to produce up-to date resources, the information included here is intended as a guide. Always refer to the product's installation instructions when fitting, installation work should be completed a professional tradesman.