

# EATON 18/10 STAINLESS STEEL INSET SINK

EA9502/



## Size: 950 x 508 mm

We have been manufacturing stainless steel sinks at Leisure for 89 years in the same location where it all began in Long Eaton, Nottinghamshire. To celebrate our longstanding heritage we launched the Eaton collection, available in single and 1.5 bowl variants with the choice of multiple sink and tap packs.

- Reversible drainer
- Satin bowl, bright drainer
- Manufactured from 18/10 stainless steel
- 10 year warranty

Waste kit sold separately, please order WAST04/

Material	18/10 Stainless Steel
Material Gauge	0.7
Material Finish Bowl	Satin
Material Finish Drainer	Bright
Drainer Position	Reversible
Overall Length (mm)	950
Overall Width (mm)	508
Main Bowl Length (mm)	340
Main Bowl Width (mm)	410
Main Bowl Depth (mm)	150
Second Bowl Length (mm)	175
Second Bowl Width (mm)	320
Second Bowl Depth (mm)	80
Tap hole Size (mm)	1 x 35
Waste Size (mm)	2 x 92
Waste Kit	Sold separately, please order WAST04/
Min. Base Unit (mm)	600
Cutout Size Length (mm)	930
Cutout Size Width (mm)	488
Warranty Sinks (years)	10
Product Code	EA9502/
Barcode	5015834051635

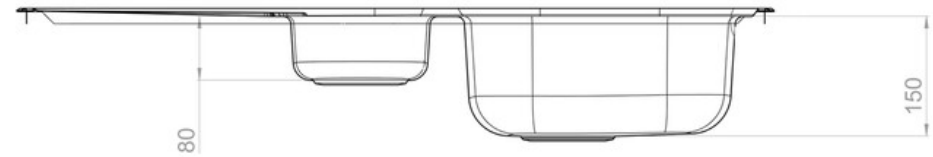
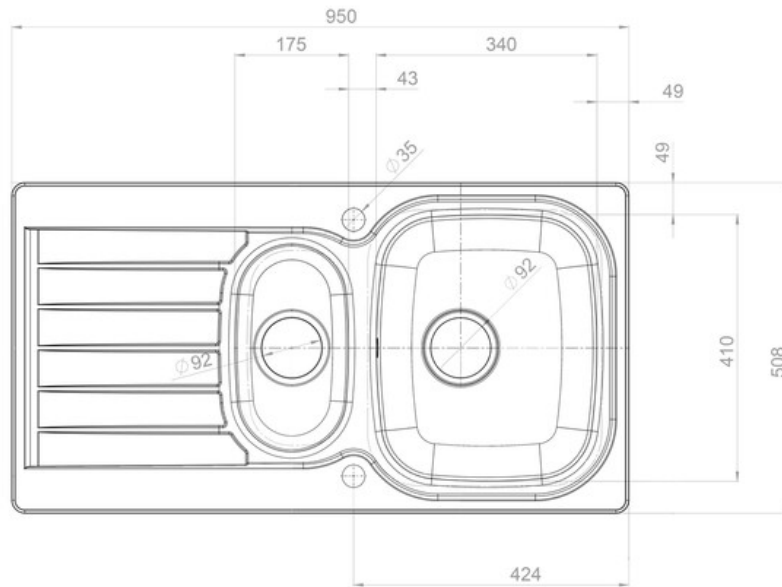
Date of download: July 24, 2023

AGA Rangemaster continuously seeks improvements in specification, design and production of products and thus, alterations take place periodically. Whilst every effort is made to produce up-to date resources, the information included here is intended as a guide. Always refer to the product's installation instructions when fitting, installation work should be completed a professional tradesman.

# EATON 18/10 STAINLESS STEEL INSET SINK

EA9502/

## Technical Drawing



Date of download: July 24, 2023

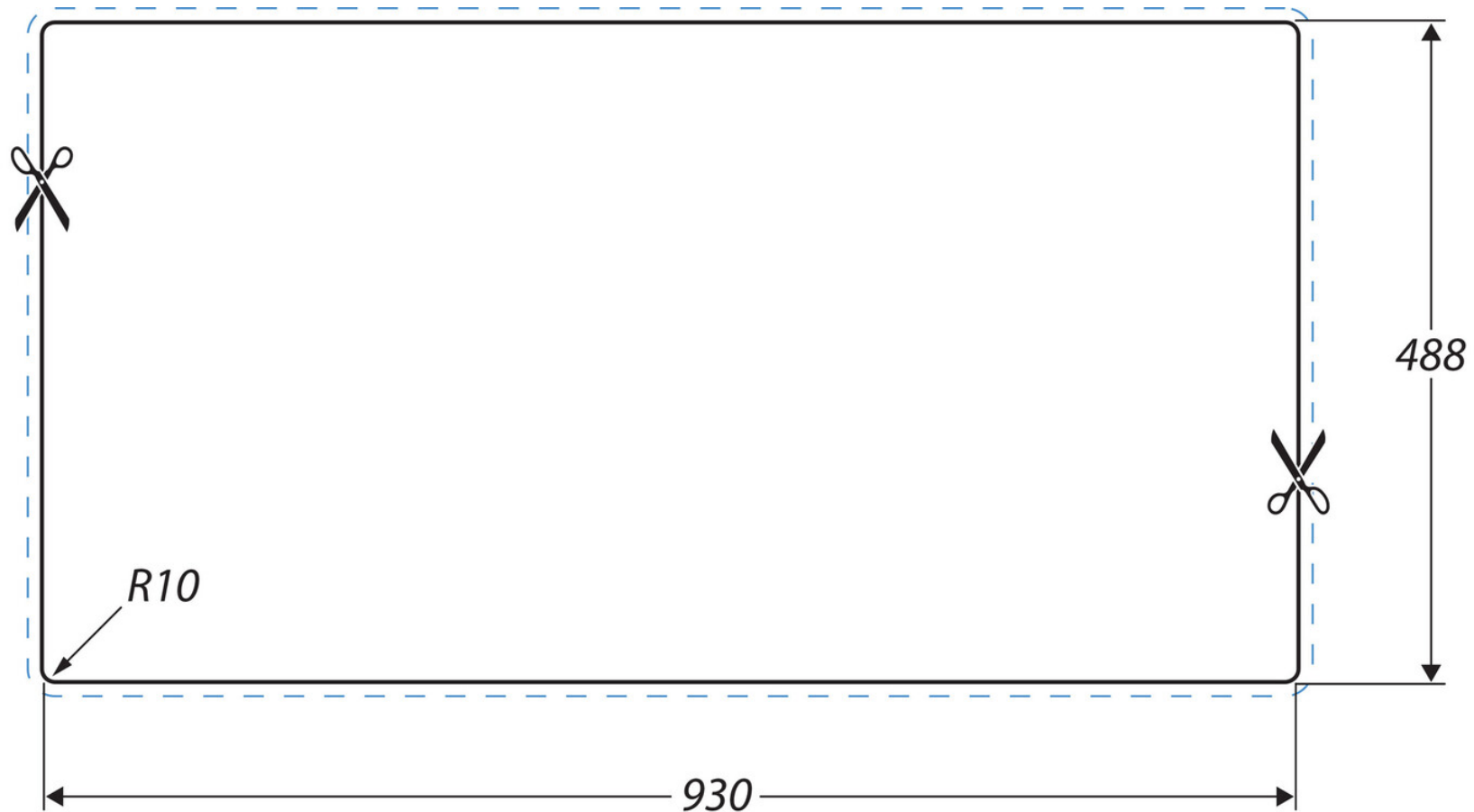
AGA Rangemaster continuously seeks improvements in specification, design and production of products and thus, alterations take place periodically. Whilst every effort is made to produce up-to date resources, the information included here is intended as a guide. Always refer to the product's installation instructions when fitting, installation work should be completed a professional tradesman.

# EATON 18/10 STAINLESS STEEL INSET SINK

EA9502/

## Cut Out Template

Dimensions in mm. Not to scale.



Date of download: July 24, 2023

AGA Rangemaster continuously seeks improvements in specification, design and production of products and thus, alterations take place periodically. Whilst every effort is made to produce up-to date resources, the information included here is intended as a guide. Always refer to the product's installation instructions when fitting, installation work should be completed a professional tradesman.