

# Stainless Steel Sink Installation

## Note:

During installation care should be taken to ensure the sink is protected from scuffs and scratches.

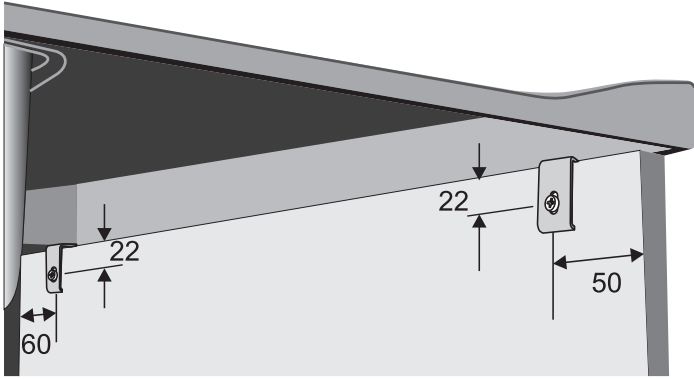
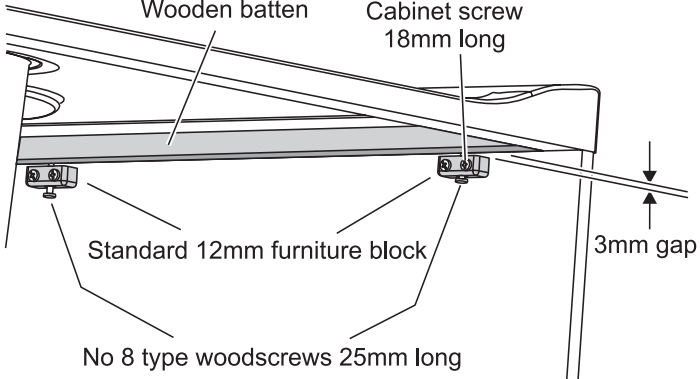
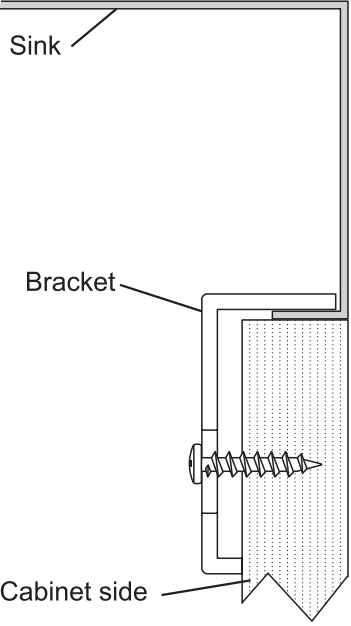
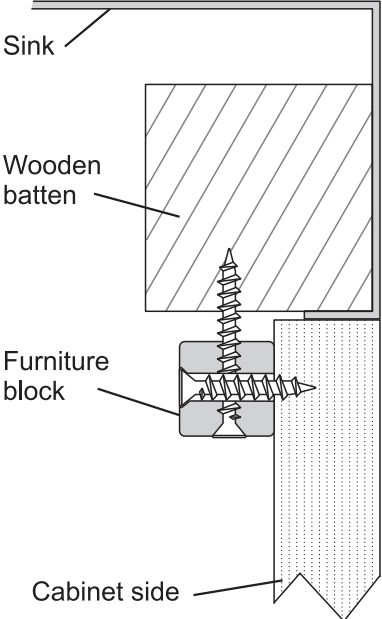
Straining and over tightening of all plumbing fixtures connected to the sink should be avoided.

Installers should carefully check that the moulding and edges of the sink are dead level so that water will flow off the drainer.

## Installation – General

- Fit the waste(s) to the sink, including any inter-connecting pipe work (supplied with multiple bowl sinks)
- Fit the tap(s) and plumb in any hoses or pipes.

Use either of two methods of installation. The installer must supply the battens if this method of installation is required.

Installation without wooden battens	Installation with wooden battens
	
<ol style="list-style-type: none"> <li>1. Drill 2 pilot holes in either side of the base unit as shown.</li> <li>2. Fix the bracket with the long leg (18mm) clamping down onto the rim of the inner rim.</li> <li>3. Attach the brackets to the cabinet with the Cabinet screws (screws are provided with some sink models).</li> </ol> 	<p><b>Items required to secure the sink (not supplied)</b></p> <ul style="list-style-type: none"> <li>• 4 off Standard 12mm furniture block</li> <li>• 8 off Cabinet screw 18mm long</li> <li>• 4 off No 8 type woodscrews 25mm long</li> </ul> <ol style="list-style-type: none"> <li>1. Position the sink over the cabinet in the desired location and mark the position of the screws, relative to the inside of the cabinet, using a soft pencil.</li> <li>2. Using the pencil marks made previously as a guide, screw the 12mm furniture block to the cabinet using the Cabinet screws.</li> <li>3. Put the No 8 type woodscrew into the furniture block and tighten the screw into the wooden batten.</li> </ol> 

**Note:** All dimensions shown are in millimetres and the sink is a typical installation

# After Care Stainless Sinks

## Day-to-day care

Routine cleaning of your stainless steel sink is easy if the following simple procedure is followed:

After use wipe the bowl and drainer with a soft damp soapy cloth and rinse with clean water. In hard water areas, an application of proprietary cream cleaner or stainless steel sink cleaner will avoid any build-up of a dull film of waterborne deposits.

Although stainless steel is an extremely durable material and will withstand a great deal of hard use, it can be scratched by hard or sharp objects. If the surfaces are to be kept in a blemish free condition reasonable care should be taken when handling such items.

## Cleaning

Always use a soft cloth. The use of coarse grit scouring powders or soap-filled wire wool cleaning pads is not recommended, since both will mark the surface of the sink. Wire wool pads can leave tiny fragments of wire embedded in the surface and these can rust and leave small brown rust stains. Vigorous rubbing with a soft cloth with a proprietary cream cleaner or stainless steel sink cleaner will remove these stains.

Always remove wet cleaning aids (cloths, containers, etc.) from the sink surface after use to avoid the formation of water marks and rust stains.

## Discolouration and heavy staining

In most cases, staining of stainless steel is due to something being deposited on the steel rather than an attack on the material itself. The most common cause of staining is the build-up of a thin film of waterborne deposits on the sink surface, often first seen as a rainbow effect. The build-up of such a film can be avoided by drying the surface of the sink after use.

Should such a film appear, apply proprietary cream cleaner or stainless steel sink cleaner neat and rub vigorously with a damp cloth along the length of the sink surface. After cleaning, rinse thoroughly with clean water and dry.

Wire wool products and ferrous water supply pipes can leave minute ferrous particles adhered to the sink surface. Since stainless steel under normal conditions does not rust, these particles can cause the appearance of small brown rust stains. These stains can be removed using the procedure described above.

### 10 Year Guarantee

We guarantee to replace any stainless steel sink that breaks due to material or manufacturing defects within 10 years from the date of purchase.

The guarantee does not cover normal wear and tear occurring through use of the product.

For the guarantee to apply the owner must follow the use, care and cleaning instructions provided.

Accessories and waste fittings are not included in this guarantee.

## Caution!

**Certain household products contain substances that will attack the stainless steel surface. They are:**

### 1. Bleaches

Most common domestic bleaches contain Chlorine in the form of a hypochlorite. Chlorine attacks the microscopic Chromium Oxide film on the surface and can cause pitting of the surface.

Bleaches should always be used in the prescribed strength specified by the manufacturers. Undiluted bleaches can cause pitting and staining of the surface and should be immediately rinsed off with plenty of clean water.

All cleaning agents containing hypochlorites are unsuitable for use with stainless steel and, even highly diluted, can cause pitting under certain circumstances. For this reason we strongly recommend that the sink is not used for soaking clothes or cleaning clothes in hypochlorite solutions for long periods.

### 2. Silver dip cleaners

These are particularly harmful since they contain strong acids that can cause discolouration and pitting. The first sign of this is an iridescent rainbow stain that turns an etched dull grey colour.

Should any silver dip cleaner come into contact with the surface of the sink it should be immediately rinsed off with plenty of clean water.

### 3. Corrosive foodstuffs

Fruit juices, damp salt, vinegar, ready made mustards, pickle and mayonnaise can cause pitting and corrosion if left in contact with the stainless steel surface for long periods.

### 4. Acids

Sulphuric, Hydrochloric and other strong acids will cause pitting corrosion, as will photographic developing liquids. If contact occurs immediately wash off with plenty of clean water.

	
<b>LEISURE</b> sinks	
Meadow Lane, Long Eaton, Nottingham, NG10 2GD, England Tel: 0115 946 4000 E-mail: consumers@agarangemaster.co.uk www.leisuresinks.co.uk	
	13
EN 13310 : 2015	
Kitchen sink made of:	Stainless Steel
Cleanability:	Pass
Load resistance:	NPD / N/A
Durability:	Pass