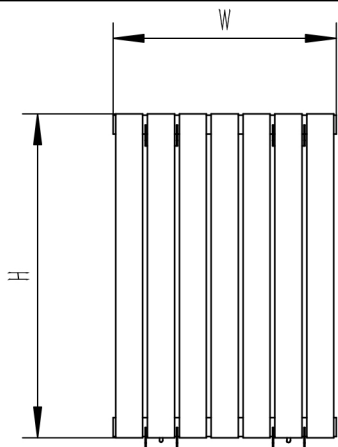
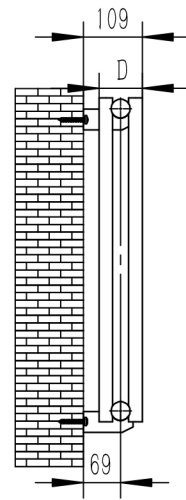


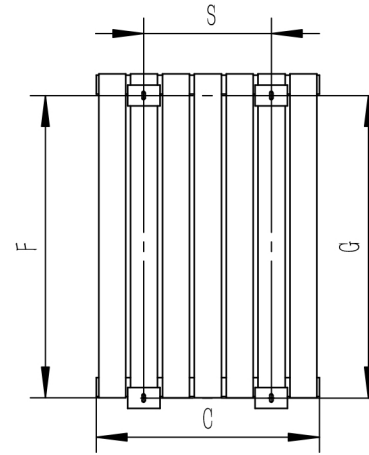
# FLOX



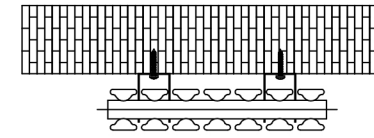
FRONT VIEW



SIDE VIEW



BACK VIEW



TOP VIEW

## SUPPLIED INSTALLATION ACCESSORIES



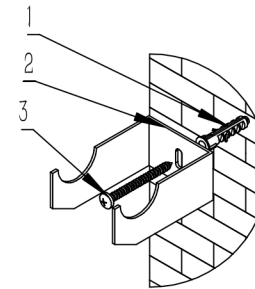
POLOSHING CLOTH (Brush) 1PCS



AIR VENT 1PCS



SCREW 4PCS



BRACKET 4PCS



SPACER 8PCS

- Vertical Mounting
- Optional 304 QUALITY STAINLESS STEEL RADIATOR (RNS-FTX060041DP:FLOX RADIATOR)
- POLISHED
- MAX Operational Pressure: 10Bar
- Inlet/Outlet: 1/2"Female Pipe Thread
- All Dimensions are in mm

Product Name	Product Cude	Height	Width	Thick Ness	Plumbing Axes Center to Center	Hanger Axes Horizontal	Hanger To Bottom of the Product	Hanger Axes Vertical	Water Volume	Empty Weight
		H	W	D	C	S	F	G	-	-
		mm	mm	mm	mm	mm	mm	mm	mm	L
<b>FLOX</b>	<b>RNS-FTX180029DP</b>	1800	295	77	295	118	1760	1760	12.40	17.6
<b>FLOX</b>	<b>RNS-FTX180035DP</b>	1800	354	77	354	177	1760	1760	14.88	21.1
<b>FLOX</b>	<b>RNS-FTX180041DP</b>	1800	413	77	413	236	1760	1760	17.36	24.7
<b>FLOX</b>	<b>RNS-FTX180047DP</b>	1800	472	77	472	295	1760	1760	19.84	28.2
<b>FLOX</b>	<b>RNS-FTX180053DP</b>	1800	531	77	531	354	1760	1760	22.32	31.8

