

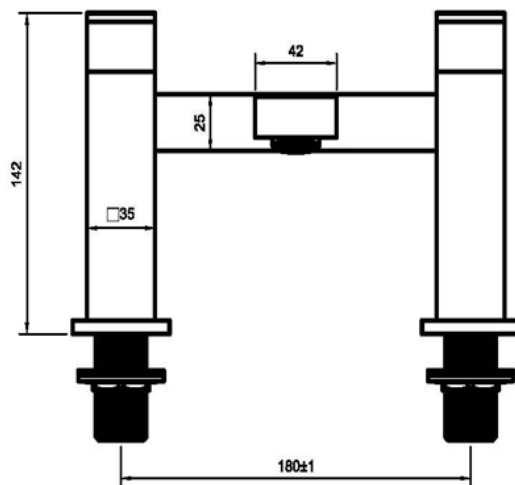
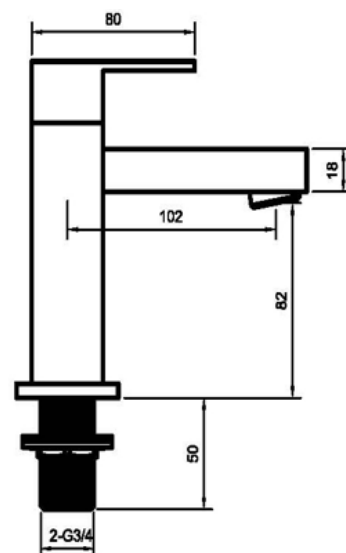
SAGITTARIUS

TAPS & SHOWERING

BLADE BATH FILLER CHROME

BL/104/C

Construction	Brass Body CuZn40Pb2, EN CW617N (equivalent to BS CZ122) Zinc alloy Handle
Finishes	Chrome : Ni : 8-12um, Cr : 0.25-0.3um
Product Type	Contemporary
Water Pressure	Min. 0.2 bar, Max. 6.0 bar
Plumbing Systems	Suitable for all plumbing systems
Standards	Complies with BS5412, BS EN200
Certification	-
Cartridge	1/4 Turn 3/4" Ceramic Disc Valves
Aerator	Laminar
Fitting	Brass 3/4" BSP tails
Packaging	34.5 x 29.5 x 50cm / carton (4 boxes / carton)
Guarantee	10 years against manufacturing faults (excluding serviceable parts)



Flow Rates (Litres per minute)

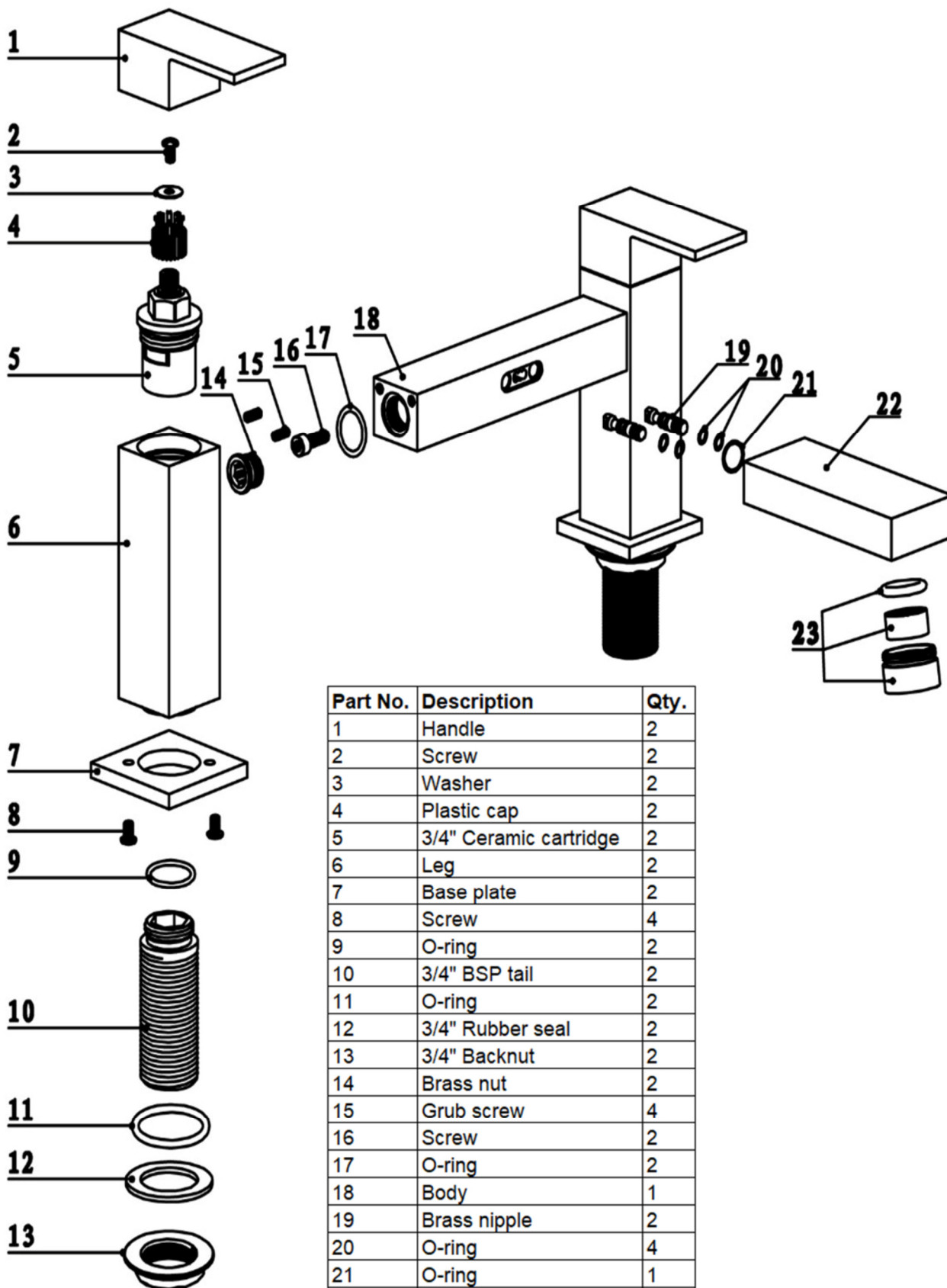
System Pressure	0.1 Bar	0.2 Bar	0.3 Bar	0.5 Bar	1.0 Bar	1.5 Bar	2.0 Bar	3.0 Bar	4.0 Bar	5.0 Bar
BL/104/C	4.50	7.00	-	12.00	17.20	21.00	24.50	30.10	-	-

The information contained on this page was correct at the date of issue. Fitting dimensions are provided as a guide only. Some variation may occur due to manufacturing tolerances. We pursue a policy of continuing improvement in design and performance of our products and so reserve the right to change specifications without prior notice

FOR FURTHER ADVICE PLEASE CONTACT :-

SAGITTARIUS LTD UNIT 1 LOWER VICTORIA STREET—CHADDERTON—OLDHAM—OL9 9TU TEL:0616 6202029

EMAIL:TECHNICAL@SAGITTARIUSTAPS.CO.UK



Part No.	Description	Qty.
1	Handle	2
2	Screw	2
3	Washer	2
4	Plastic cap	2
5	3/4" Ceramic cartridge	2
6	Leg	2
7	Base plate	2
8	Screw	4
9	O-ring	2
10	3/4" BSP tail	2
11	O-ring	2
12	3/4" Rubber seal	2
13	3/4" Backnut	2
14	Brass nut	2
15	Grub screw	4
16	Screw	2
17	O-ring	2
18	Body	1
19	Brass nipple	2
20	O-ring	4
21	O-ring	1
22	Spout	1
23	Aerator	1

The information contained on this page was correct at the date of issue. Fitting dimensions are provided as a guide only. Some variation may occur due to manufacturing tolerances. We pursue a policy of continuing improvement in design and performance of our products and so reserve the right to change specifications without prior notice

FOR FURTHER ADVICE PLEASE CONTACT :-

SAGITTARIUS LTD UNIT 1 LOWER VICTORIA STREET—CHADDERTON—OLDHAM—OL9 9TU TEL:0616 6202029

EMAIL:TECHNICAL@SAGITTARIUSTAPS.CO.UK