

SAGITTARIUS

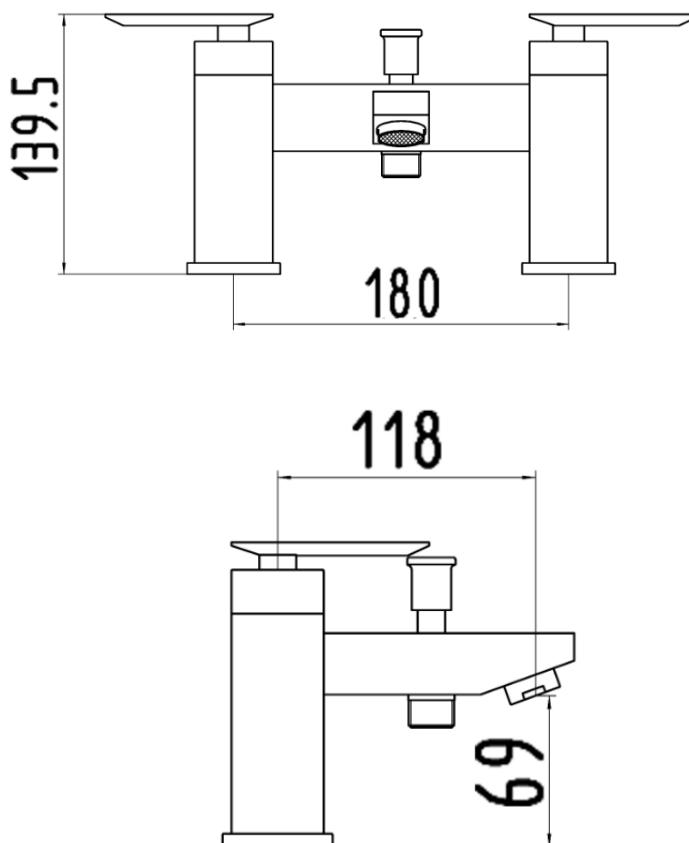
TAPS & SHOWERING

| | |
|-------------------------------|--|
| Construction | Brass Body CuZn40Pb2, EN CW617N (equivalent to BS CZ122) |
| Finishes | Chrome plated to BS EN 248 |
| Product Type | Contemporary |
| Water Pressure | Min. 0.5 bar, Max. 6.0 bar |
| Plumbing Systems | Suitable for all plumbing systems |
| Standards | Complies with BS5412, BS EN200 |
| Certification | Manufactured to comply with WRAS |
| Cartridge | 1/4 Turn 3/4" Ceramic Disc Valves |
| Fitting | 3/4" BSP |
| Aerator | Laminar |
| Packaging | 49.5 x 41.5 x 33cm / carton (8 boxes / carton) |
| Guarantee | 10 years against manufacturing faults (excluding serviceable parts). |
| Additional Information | Supplied with 1.5m hose, wall bracket and single mode ABS handset |

ECLIPSE BATH SHOWER

MIXER CHROME

EC/305/C



Flow Rates (Litres per minute)

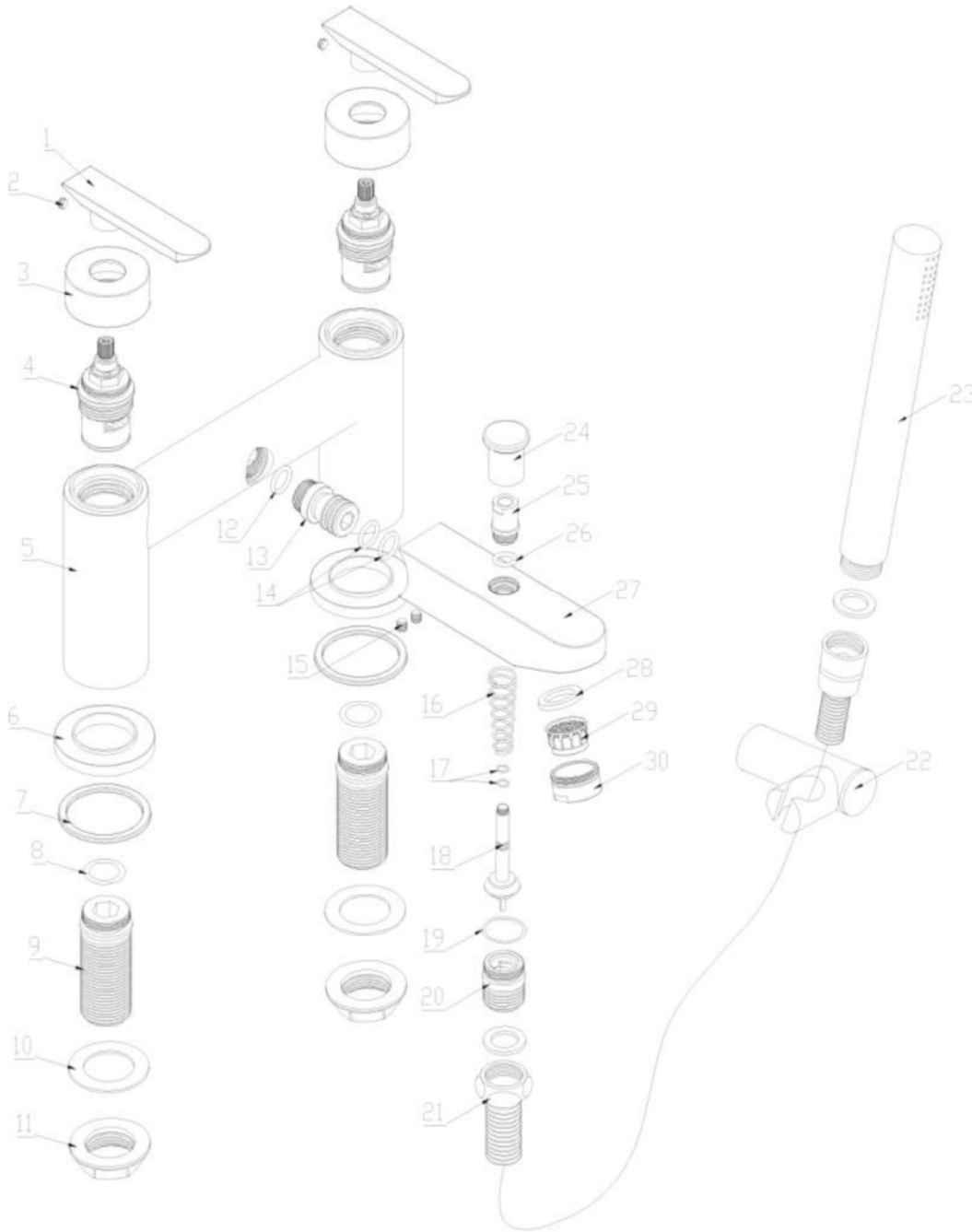
| System Pressure | 0.1 Bar | 0.2 Bar | 0.3 Bar | 0.5 Bar | 1.0 Bar | 1.5 Bar | 2.0 Bar | 3.0 Bar | 4.0 Bar | 5.0 Bar |
|-----------------|---------|---------|---------|---------|---------|---------|---------|---------|---------|---------|
| EC/305/C | - | 4.0 | - | 8.6 | 13.7 | 18.2 | 21.4 | 27.5 | - | - |

The information contained on this page was correct at the date of issue. Fitting dimensions are provided as a guide only. Some variation may occur due to manufacturing tolerances. We pursue a policy of continuing improvement in design and performance of our products and so reserve the right to change specifications without prior notice

FOR FURTHER ADVICE PLEASE CONTACT :-

SAGITTARIUS LTD UNIT 1 LOWER VICTORIA STREET—CHADDERTON—OLDHAM—OL9 9TU TEL:0616 6202029

EMAIL:TECHNICAL@SAGITTARIUSTAPS.CO.UK



| | | |
|-----|-------------------------|---|
| -01 | HANDLE LEVER | 2 |
| -02 | POINTED SCREW | 2 |
| -03 | COLLAR | 2 |
| -04 | 1/4 TURN HOT CARTRIDGE | 1 |
| -04 | 1/4 TURN COLD CARTRIDGE | 1 |
| -05 | TAP BODY | 1 |
| -06 | ∅50 BASE PLATE | 2 |
| -07 | WASHER | 2 |
| -08 | "O" RING | 2 |
| -09 | G3/4" INLET | 2 |
| -10 | WASHER | 2 |
| -11 | G3/4" BACK NUT | 2 |
| -12 | "O" RING | 1 |
| -13 | CONNECTOR | 1 |
| -14 | "O" RING | 2 |
| -15 | POINTED SCREW | 2 |
| -16 | SHORT SPRING | 1 |
| -17 | O RING | 2 |
| -18 | DIVERTOR STEM | 1 |
| -19 | O RING | 1 |
| -20 | HOSE CONNECTOR | 1 |
| -21 | SHOWER HOSE | 1 |
| -22 | SHOWER HOLDER | 1 |
| -23 | HANDSHOWER | 1 |
| -24 | DIVERTOR CAP | 1 |
| -25 | CONNECTOR | 1 |
| -26 | "O" RING | 1 |
| -27 | SPOUT | 1 |
| -28 | WASHER | 1 |
| -29 | NEOPERL AERATOR | 1 |
| -30 | M24X1 NOZZLE | 1 |

The information contained on this page was correct at the date of issue. Fitting dimensions are provided as a guide only. Some variation may occur due to manufacturing tolerances. We pursue a policy of continuing improvement in design and performance of our products and so reserve the right to change specifications without prior notice

FOR FURTHER ADVICE PLEASE CONTACT :-
 SAGITTARIUS LTD UNIT 1 LOWER VICTORIA STREET—CHADDERTON—OLDHAM—OL9 9TU TEL:0616 6202029
 EMAIL:TECHNICAL@SAGITTARIUSTAPS.CO.UK